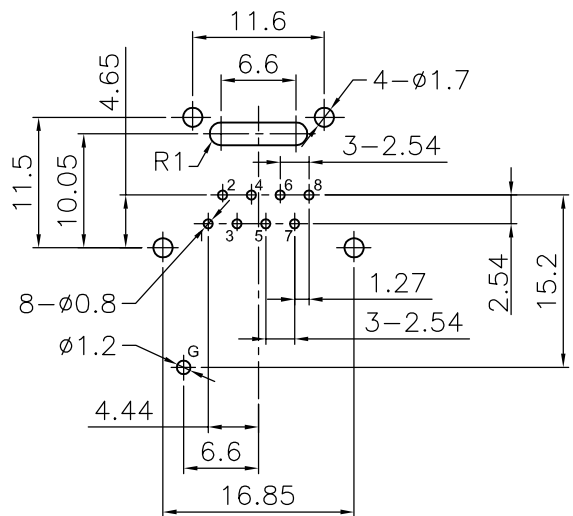
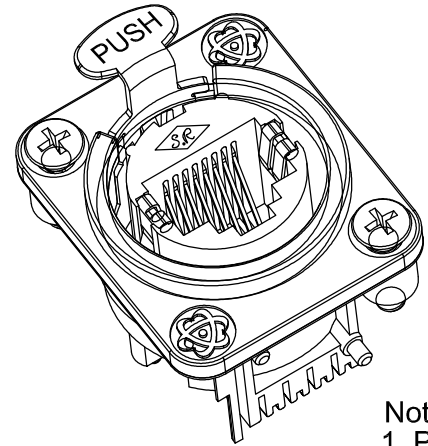
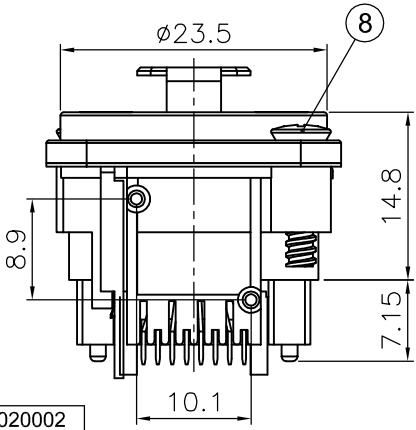
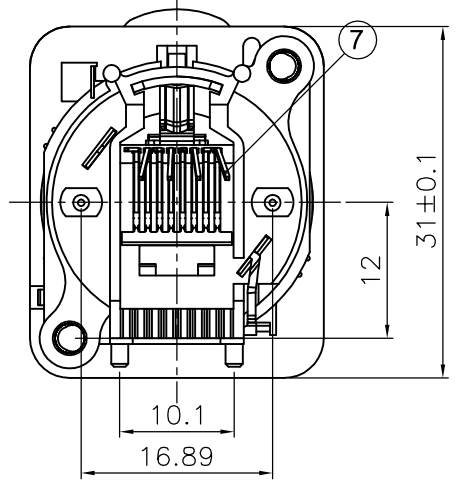
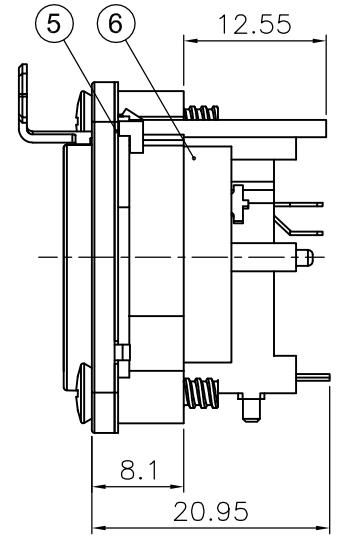
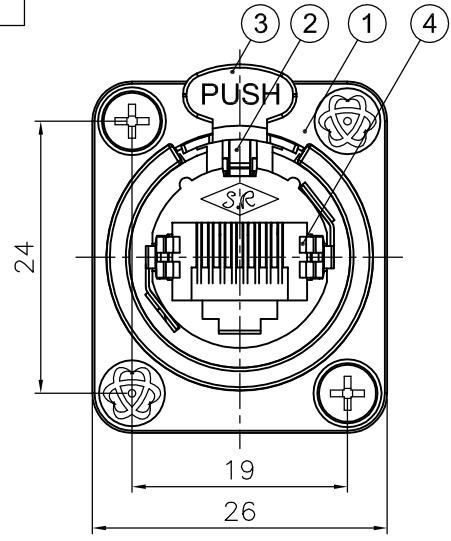


| REVISIONS | | | |
|-----------|--------|------------------------------|--|
| ISS | ZONE | DESCRIPTION\PER REQUEST\DATE | |
| A4 | D-2 | 修改電路板配置及增加尺寸4.4 | |
| V | OPEN | 對客戶公開圖紙 | |
| | OPEN | 對供應商公開圖紙 | |
| | CLOSED | 僅限廠內使用 | |



PCB layout from frontside view
(從正面印刷電路板配置)

8P Pin Finish:
Front: Golden plated(前端鍍金)
Rear: Tin-plated(後端鍍錫)



台灣日昇電子股份有限公司
ISSUE APPROVED
發行核可
本文件與簽核紙正本相符合

Note(備註):
1. Package: 25psc per clamshell packing
(包裝方式: 25psc為一泡殼包裝)

| NO. | DESCRIPTION | MATERIAL | FINISH | Q'TY | DRAWING NO |
|-----|--------------------|-----------------|-----------------|------|------------|
| 8 | 螺絲(SCREW) | SUS304 | 鍍鎳(Nickel) | 2 | 1620020002 |
| 7 | 插針(8P PIN) | Phosohor Bronze | | 1 | |
| 6 | 塑座(PLASTIC BASE) | PBT | 黑色(Black) | 1 | |
| 5 | 金屬片(METAL SHEET) | H62 | 鍍亮錫(Bright Tin) | 1 | |
| 4 | 接地片(GROUND) | Phosohor Bronze | 鍍亮錫(Bright Tin) | 2 | |
| 3 | 按鍵(PUSH BUTTON) | SUS304 | 鍍鎳(Nickel) | 1 | |
| 2 | 鋼片(LATCH) | 65Mn | 發黑(Blackening) | 1 | |
| 1 | 鋅殼(DIE-CAST SHELL) | ZZnAL4-0 | 鍍鎳(Nickel) | 1 | |

| | | | |
|---------------------------------------|-------|-----------|---|
| DIMENSIONS ARE IN MILLIMETERS | | APPROVED | DATE |
| UNLESS OTHERWISE SPECIFIED TOLERANCES | | 黃碧珊 | 2019-12-05 |
| ANGLES = ±5° | | CHECKED | DATE |
| UP TO 6 = ±0.2 | | 吳碧珊 | 2019-12-05 |
| 6-40 = ±0.4 | | DRAWN | DATE |
| 40-120 = ±0.6 | | 吳碧珊 | 2019-12-05 |
| 120-315 = ±1 | | FILE NO. | D:\CAD\SVP\5113200002_SVP594-DV_CA001A4 |
| ABOVE 315 = ±1.6 | | ERP LINK: | 5113200002 |
| THIRD_ANGLE | | PART NO. | SVP594-DV |
| SCALE | 1.5/1 | REV. | A4 |

| | | |
|--|---|---------|
| | 日昇電子股份有限公司 SUN RISE EXACT INDUSTRIAL CO. | |
| TITLE ETHERNET CAT5E RJ45 CONNECTOR HORIZONTAL PCB | | |
| PART NO. | SVP594-DV | REV. A4 |