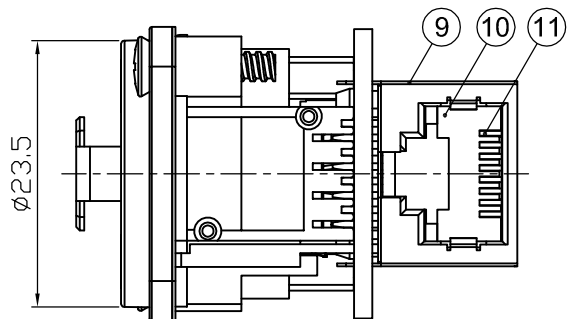
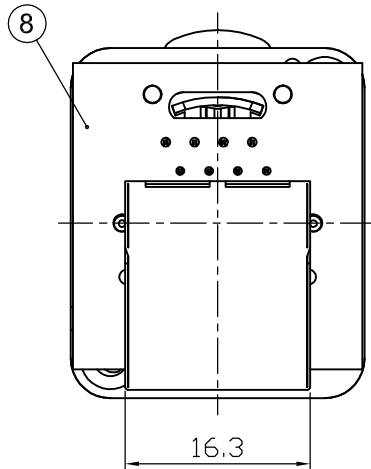
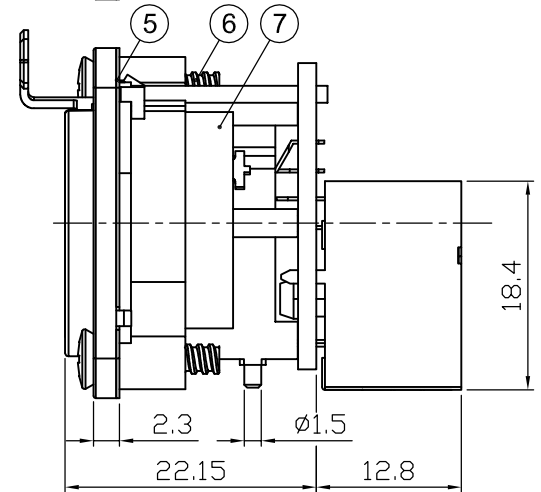
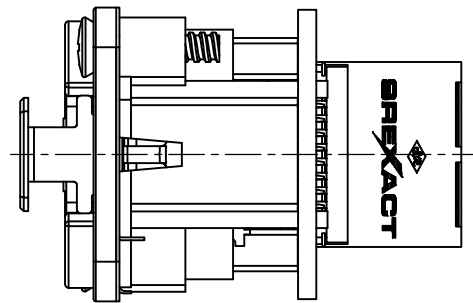
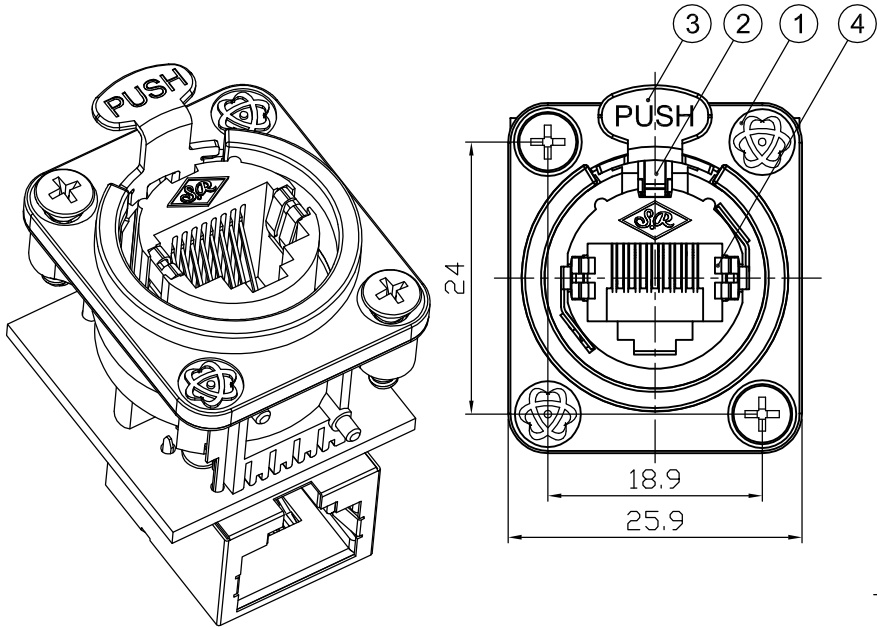


REVISIONS			
ISS	ZONE	DESCRIPTION\PER REQUEST\DATE	
A3	E-3	更新SR商標	
V	OPEN	對客戶公開圖紙	
	OPEN	對供應商公開圖紙	
	CLOSED	僅限廠內使用	



台灣日昇電子股份有限公司
ISSUE APPROVED
 發行核可 本文件與簽核紙本正本相符

8P Pin Finish:
 Front: Golden plated(前端鍍金)
 Rear: Tin-plated(後端鍍錫)

11	銅殼(COPPER SHELL)	C2680	鍍鎳(Nickel)	1	1620020003
10	塑粒(INSULATOR)	PBT	黑色(Black)	1	
9	插針(8P PIN)	Phosphor Bronze		2	
8	電路板(PCB, T=1.6mm)	FR-4		1	
7	塑座(PLASTIC BASE)	PBT	黑色(Black)	1	
6	螺絲(SCREW)	SUS304	鍍鎳(Nickel)	2	
5	金屬片(METAL SHEET)	H62	鍍亮錫(Bright tin)	1	
4	接地片(GROUND)	Phosphor Bronze	鍍亮錫(Bright tin)	2	
3	按鍵(PUSH BUTTON)	SUS304	鍍鎳(Nickel)	1	
2	鋼片(LATCH)	65Mn	發黑(Blackening)	1	
1	鋅殼(DIE-CAST SHELL)	ZZnAl4-0	鍍鎳(Nickel)	1	
NO.	DESCRIPTION	MATERIAL	FINISH	Q'TY	DRAWING NO.

Note(備註):
 1. Package: 25pcs per clamshell packing
 (包裝方式: 25pcs為一泡殼包裝)

DIMENSIONS ARE IN MILLIMETERS APPROVED		DATE	2019-11-19	
UNLESS OTHERWISE SPECIFIED		CHECKED	DATE	
TOLERANCES		吳碧珊		
ANGLES = ±5°		DATE		
UP TO 6 = ±0.2		2019-11-19		
6-40 = ±0.4		FILE NO. D:\CAD\SVP\5113200003_		
40-120 = ±0.6		SVP594-DPR_CA001A3		
120-315 = ±1		TITLE		
ABOVE 315 = ±1.6		ETHERNET CAT5E RJ45 CONNECTOR		
THIRD_ANGLE		ERP LINK:	5113200003	PART NO.
SCALE	1.5/1			SVP594-DPR
				REV. A3



日昇電子股份有限公司
 SUN RISE EXACT INDUSTRIAL CO.

F
E
D
C
B
A

F
E
D
C
B
A