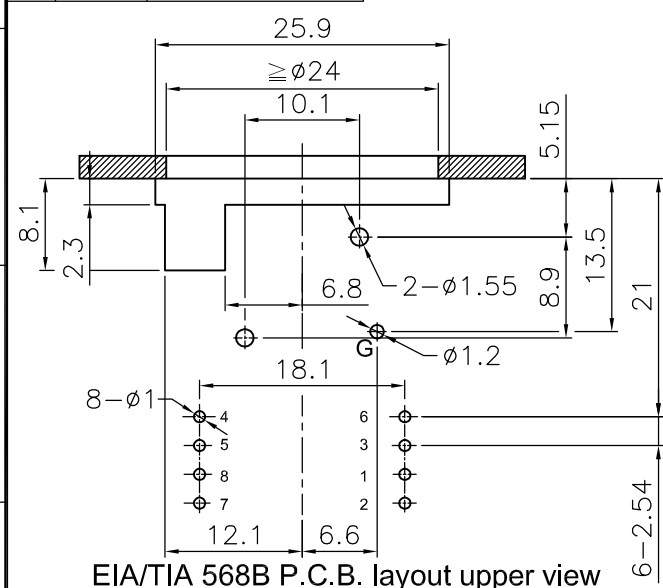


REVISIONS			
ISS	ZONE	DESCRIPTION	PER REQUEST\DATE
A5	D-5	修改視圖排列,增加接地特別標示	
V	OPEN	對客戶公開圖紙	
	OPEN	對供應商公開圖紙	
	CLOSED	僅限廠內使用	



EIA/TIA 568B P.C.B. layout upper view  
(印刷電路板配置上視面)

The PCB layout is for front mounted flange. If mounted from back, the flange's thickness should be reduced 2mm.  
(此PCB layout為前裝式面板,欲裝在面板後方,將相關尺寸減掉面板厚度2mm即可)

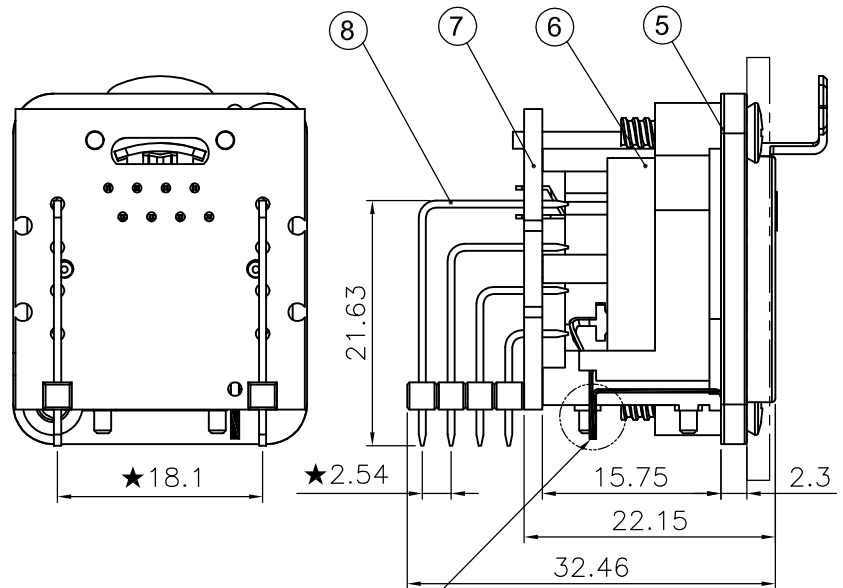
8P Pin Finish:  
Front: Golden plated(前端鍍金)  
Rear: Tin-plated(後端鍍錫)

NO.	DESCRIPTION	MATERIAL	FINISH	Q'TY	DRAWING NO
9	螺絲(SCREW)	SUS304	鍍鎳(Nickel)	1	1620020007
8	插針(8P PIN)	Phosohor Bronze		1	
7	電路板(PCB)		綠色(Green)	1	
6	塑座(PASTIC BASE)	PBT	黑色(Black)	1	
5	金屬片(METAL SHEET)	H62	鍍亮錫(Bright Tin)	1	
4	接地片(GROUND)	Phosohor Bronze	鍍亮錫(Bright Tin)	2	
3	鋼片(LATCH)	SUS304	發黑(Blackening)	1	
2	按鍵(PUSH BUTTON)	65Mn	鍍鎳(Nickel)	1	
1	鋅殼(DIE-CAST SHELL)	ZZnAL4-0	鍍鎳(Nickel)	1	

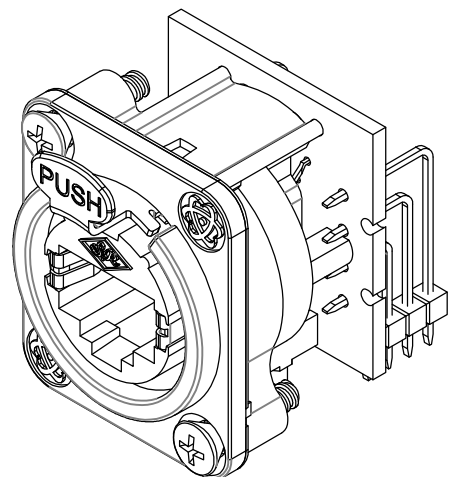
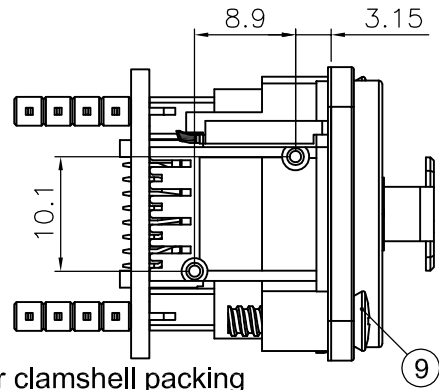
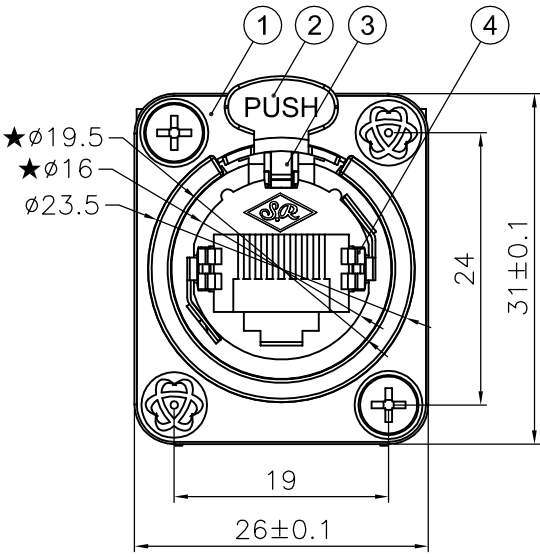
台灣日昇電子股份有限公司  
**ISSUE APPROVED**  
發行核可  
本文件與簽核紙本正本相符

Note(備註):  
1. Package: 25psc per clamshell packing  
(包裝方式: 25psc為一泡殼包裝)

DIMENSIONS ARE IN MILLIMETERS		APPROVED	DATE
UNLESS OTHERWISE SPECIFIED TOLERANCES		吳碧珊	2019-05-15
ANGLES = ±5°	UP TO 6 = ±0.2	CHECKED	DATE
6-40 = ±0.4	40-120 = ±0.6	吳碧珊	2019-05-15
120-315 = ±1	ABOVE 315 = ±1.6	DRAWN	DATE
THIRD_ANGLE		FILE NO.	D:\CAD\SVP\5113200007_SVP594-DH_CA001A5
SCALE	1.5/1	ERP LINK:	5113200007



★(接地需往下折,沒有焊在PCB板上)  
進料檢驗須特別注意檢查



F  
E  
D  
C  
B  
A

F  
E  
D  
C  
B  
A

<b>日昇電子股份有限公司</b> SUN RISE EXACT INDUSTRIAL CO.	
TITLE	
ETHERNET CAT5E RJ45 CONNECTOR HORIZONTAL PCB, D TYPE	
PART NO.	REV.
SVP594-DH	A5