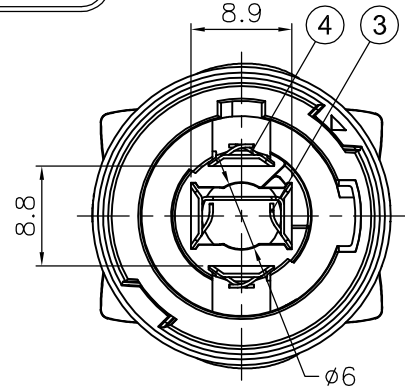
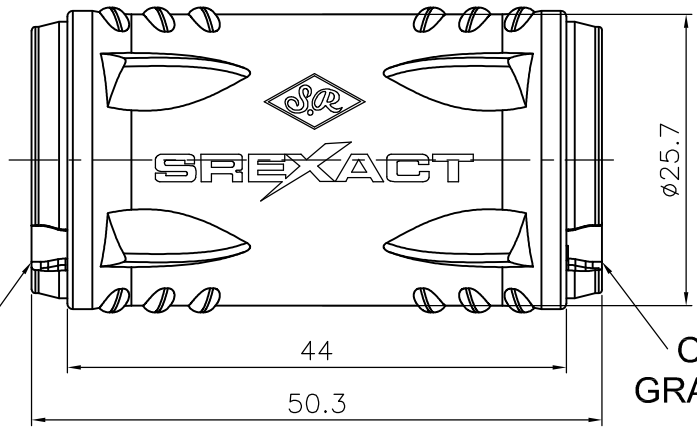
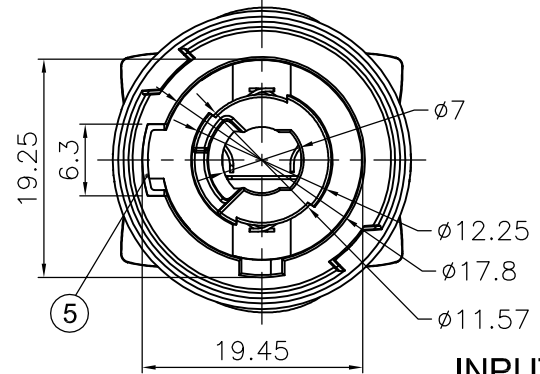


1 2 3 4 5 6 7 8

REVISIONS		
ISS	ZONE	DESCRIPTION\PER REQUEST\DATE
A3	A-3	更正"彎插針"數量,刪除多處尺寸,修改針腳定義
V	OPEN	對客戶公開圖紙
	OPEN	對供應商公開圖紙
	CLOSED	僅限廠內使用

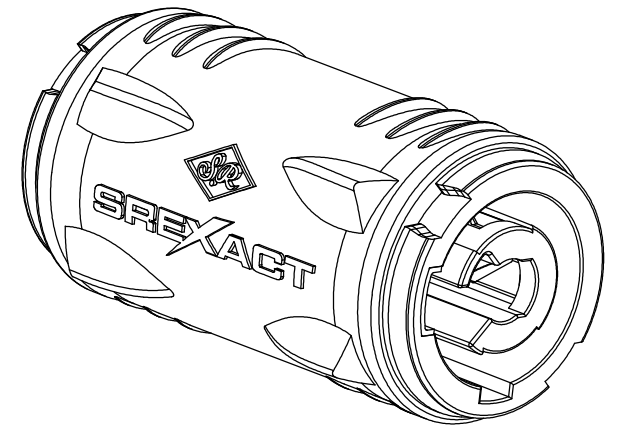
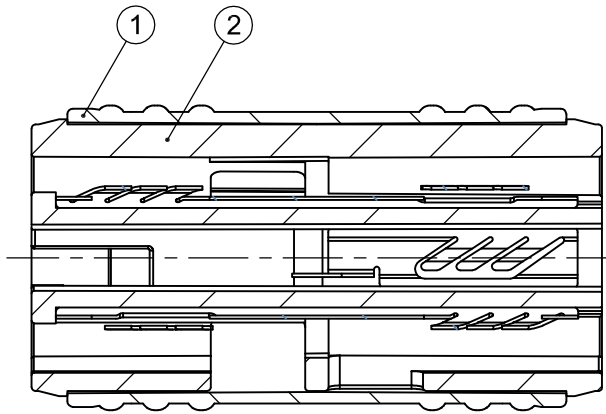
台灣日昇電子股份有限公司
ISSUE APPROVED
 發行核可 本文件與簽核紙本正本相符



INPUT
BLUE (藍色端)

OUTPUT
GRAY (灰色端)

L	—	L
N	—	N
PE	—	PE
PIN DEFINE (針腳定義)		



NO.	DESCRIPTION	MATERIAL	FINISH	Q'TY	DRAWING NO.
5	銅固定片 (SHEET METAL)	PHOSPHOR BRONZE	鍍鎳(NICKEL)	1	
4	直插針"L/N" (TERMINAL"L/N")	PHOSPHOR BRONZE	鍍銀(SILVER)	2	
3	彎插針"PE" (TERMINAL"PE")	PHOSPHOR BRONZE	鍍銀(SILVER)	1	
2	塑本體 (PLASTIC BODY)	PA+94V0	藍色(BLUE) 灰色(GRAY)	1	
1	塑殼(PLASTIC SHELL)	PA66	黑色(BLACK)	1	

DIMENSIONS ARE IN MILLIMETERS	
UNLESS OTHERWISE SPECIFIED TOLERANCES	
ANGLES = ±5°	
UP TO 6 = ±0.2	
6-40 = ±0.4	
40-120 = ±0.6	
120-315 = ±1	
ABOVE 315 = ±1.6	
THIRD_ANGLE	⊕ ⊖
SCALE	1.5/1

APPROVED	DATE
蘇美玲	2021-07-19
CHECKED	DATE
吳碧珊	2021-07-15
DRAWN	DATE
FILE NO. D:\CAD\SVP其他系列2\5113190025_	
SVP593MM-BG-Q_CA001A3	
ERP LINK:	5113190025

		日昇電子股份有限公司 SUN RISE EXACT INDUSTRIAL CO.	
TITLE			
3P DUAL MALE POWER ADAPTOR WITH METAL FLANGE			
PART NO.	SVP593MM-BG-Q	REV.	A3

1 2 3 4 5 6 7 8