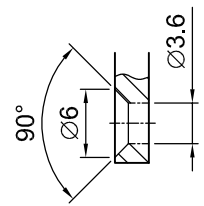
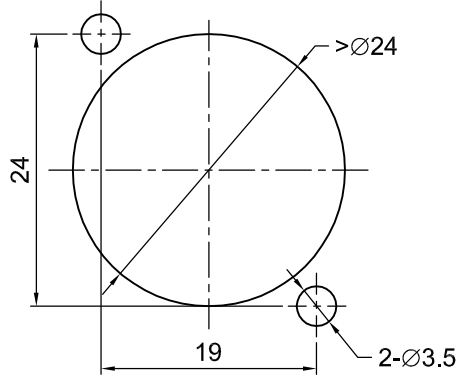
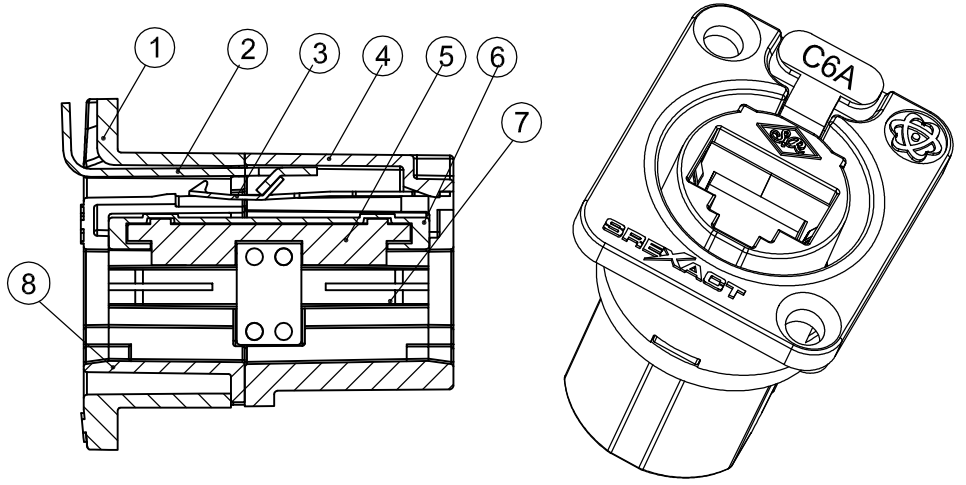


REVISIONS		
ISS	ZONE	DESCRIPTION\PER REQUEST\DATE
A2	ALL	刪除多處尺寸及備註
V	OPEN	對客戶公開圖紙
	OPEN	對供應商公開圖紙
	CLOSED	僅限廠內使用

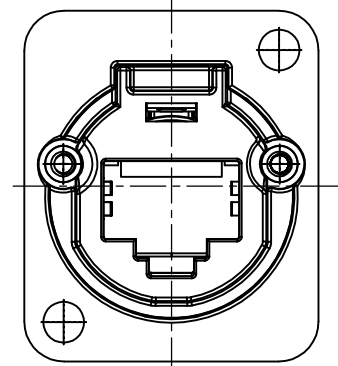
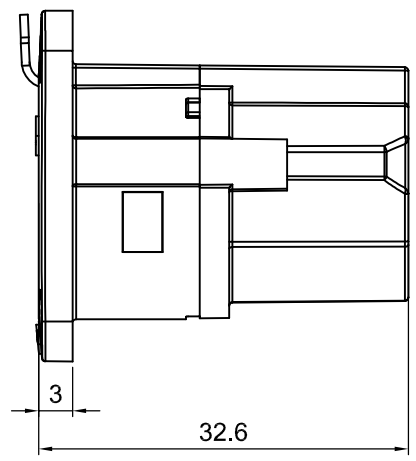
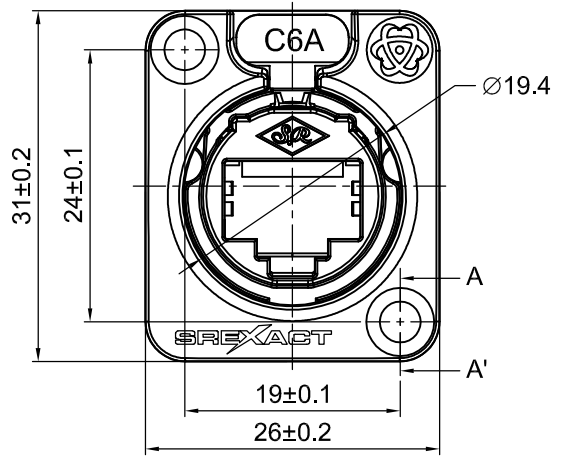
台灣日昇電子股份有限公司  
**ISSUE APPROVED**  
 發行核可  
本文件與簽核  
紙本正本相符



**A-A' SECTION**  
(A-A' 剖面)



Recommended mounting hole  
(建議架設孔)



NO.	DESCRIPTION	MATERIAL	FINISH	Q'TY	DRAWING NO.
7	前蓋(FRONT COVER)	ZZnAl4-0	鍍鎳(NICKEL)	1	
6	接地片(GROUND)	P.BRONZE	鍍鎳(NICKEL)	2	
5	電路板支架 (PCB BRACE)			2	
5	電路板(PCD)			1	
4	後蓋(BACK COVER)	ZZnAl4-0	鍍鎳(NICKEL)	1	
3	鋼片(LATCH)	65Mn	發黑(Blackening)	1	
2	推杆(PUSH BUTTON)	65Mn	鍍鎳(NICKEL)	1	
1	鋅殼(DIE-ZINC SHELL)	ZZnAl4-0	鍍鎳(NICKEL)	1	

DIMENSIONS ARE IN MILLIMETERS  
 UNLESS OTHERWISE SPECIFIED  
 TOLERANCES  
 ANGLES = ±5'  
 UP TO 6 = ±0.2  
 6-40 = ±0.4  
 40-120 = ±0.6  
 120-315 = ±1  
 ABOVE 315 = ±1.6

THIRD\_ANGLE  $\oplus$   $\ominus$   
 SCALE 1.5/1

APPROVED *吳碧珊* DATE 2023-03-08  
 CHECKED DATE  
 DRAWN 吳碧珊 DATE 2023-03-08  
 FILE NO. D:\CAD\SVP\5113220001\_  
 SVP597-DP\_CA001A2

ERP LINK: 5113220001

**SUNRISE** 日昇電子股份有限公司  
 SUN RISE EXACT INDUSTRIAL CO.

TITLE: D-SHAPE CAT6A PANEL ADAPTOR

PART NO. SVP597-DP REV. A2