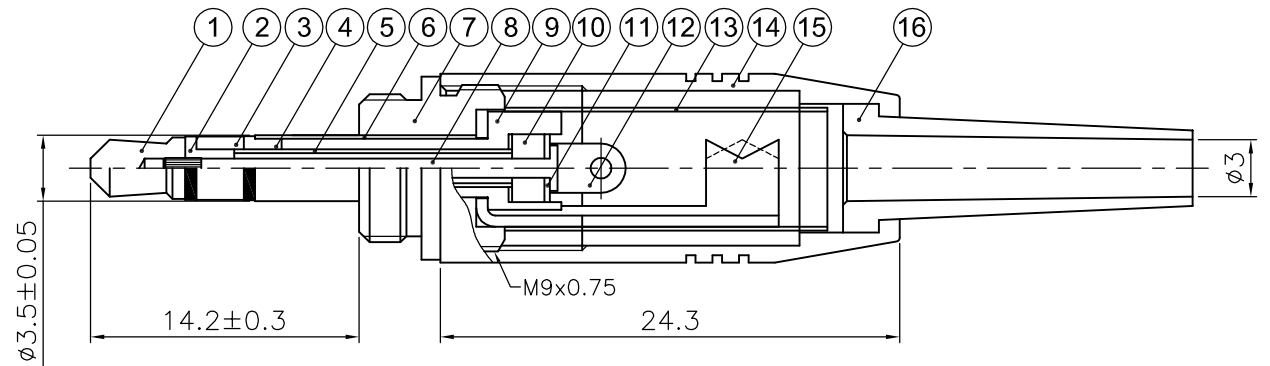
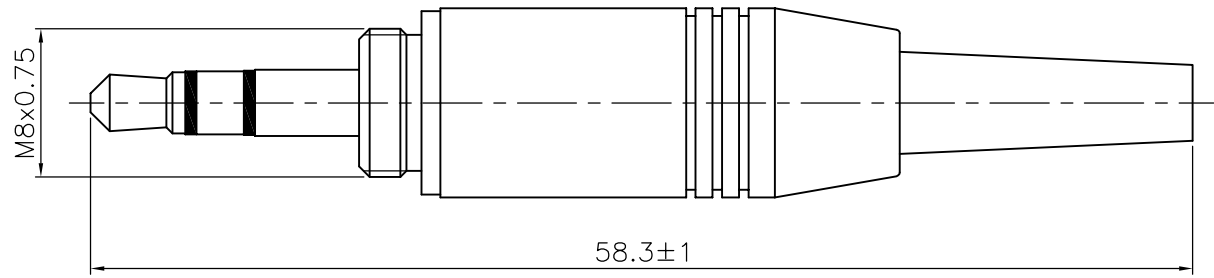


REVISIONS		
ISS	ZONE	DESCRIPTION\PER REQUEST\DATE
A2	C-1	外殼和尾套材料、電鍍修正, 塑料套改為塑管
F	V	對客戶公開圖紙
	OPEN	對供應商公開圖紙
	CLOSED	僅限廠內使用

台灣日昇電子股份有限公司
ISSUE APPROVED
 發行核可 本文件與簽核紙本正本相符

- Technique request(技術要求):
- Sleek in appearance, burr in periphery
(外表光滑, 無毛邊)
 - The tip is not allowed looseness
(珠頭不可鬆動)
 - Thread screwed in smoothly
(螺牙旋入順暢)



16	尾套(BOOT)	SILICON	黑色(BLACK)	1	1601070057 (SP110AM-DR-CP12)
15	S端子(S-TERMINAL)	H62	鍍鎳(NICKEL)	1	
14	外殼(SHELL)	H59-1	亞光鎳(MATT CHROME)	1	
13	塑管(PLASTIC PIPE)	P.P.		1	
12	R端子(R-TERMINAL)	H62	鍍鎳(NICKEL)	1	
11	T端子(T-TERMINAL)	H62	鍍鎳(NICKEL)	1	
10	塑粒(INSULATOR)	ABS	黑色(BLACK)	1	
9	塑粒(INSULATOR)	ABS	黑色(BLACK)	1	
8	鐵釘(BOLT)	A3	鍍鎳(NICKEL)	1	
7	銅座(BRASS BASE)	H59-1	鍍金(GOLD)	1	
6	銅管(SLEEVE)	H62	鍍金(GOLD)	1	
5	銅管(SLEEVE)	H62		1	
4	塑粒(INSULATOR)	ABS	黑色(BLACK)	1	
3	中套(MEDIUM COVER)	H62	鍍金(GOLD)	1	
2	塑粒(INSULATOR)	ABS	黑色(BLACK)	1	
1	珠頭(TIP)	H59-1	鍍金(GOLD)	1	
NO.	DESCRIPTION	MATERIAL	FINISH	Q'TY	DRAWING NO.

DIMENSIONS ARE IN MILLIMETERS		APPROVED DATE 2020-06-08
UNLESS OTHERWISE SPECIFIED TOLERANCES		CHECKED DATE
ANGLES = ±5°		DRAWN 吳碧珊 DATE 2020-06-08
UP TO 6 = ±0.2		
6-40 = ±0.4		
40-120 = ±0.6		
120-315 = ±1		FILE NO. D:\CAD\SP110\5107010077_
ABOVE 315 = ±1.6		SP110AM-DR-CP12_CA001A2
THIRD_ANGLE		ERP LINK: 5107010077
SCALE	2.5/1	

	日昇電子股份有限公司 SUN RISE EXACT INDUSTRIAL CO.	
	TITLE 3.5mm STEREO PLUG, W / HANDLE WITH ADAPTOR SCREW OD: 3mm, 公制牙M8X0.75	
PART NO.	SP110AM-DR-CP12	REV. A2