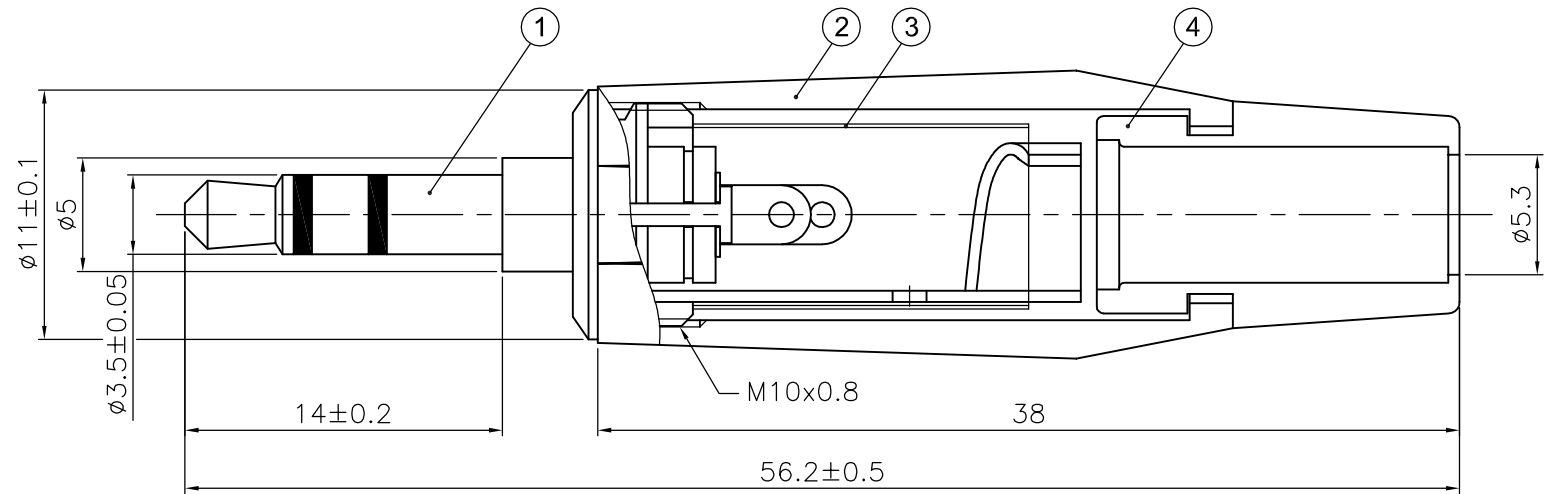
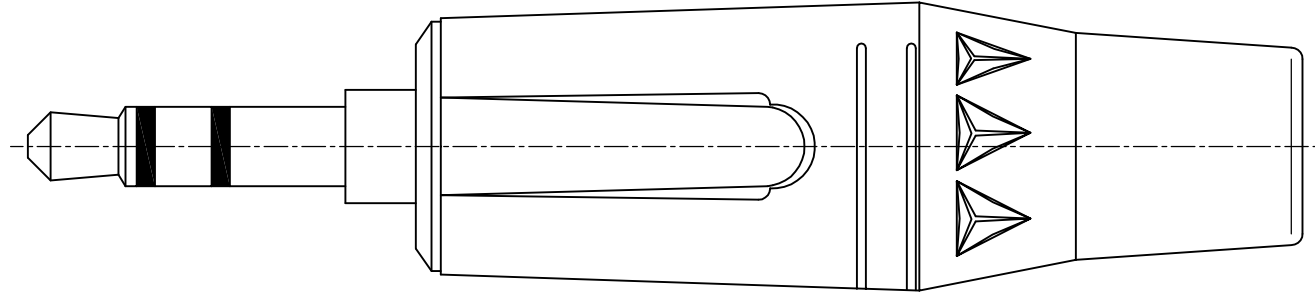


1 2 3 4 5 6 7 8

REVISIONS		
ISS	ZONE	DESCRIPTION\PER REQUEST\DATE
A2	A-2	修改外殼材質; 14.4±0.2改為14±0.3
V	OPEN	對客戶公開圖紙
	OPEN	對供應商公開圖紙
	CLOSED	僅限廠內使用

台灣日昇電子股份有限公司  
**ISSUE APPROVED**  
 發行核可 本文件與審核紙本正本相符



- Notes(備註):
- Suitable for OD:6.0, exclude cover tail could be OD:7.0 (適用OD.: 6.0, 不含尾套可用到OD.: 7.0)
  - Package with S.R logo (包裝為帶有S.R logo包裝袋)

ERP link(品號)	Part No.(品名)	Boot color(尾套顏色)
5107010065	SP110AP-G-C81-BK-SR	Black(黑色)
5107010066	SP110AP-G-C81-RD-SR	Red(紅色)

NO.	DESCRIPTION	MATERIAL	FINISH	Q'TY	DRAWING NO.
4	尾套(BOOT)	PVC	紅黑 (RD/BK)	1	1601030262 / 63
3	塑管(PLASTIC TUBE)	P.P.		1	
2	外殼(SHELL)	ZINC ALLOY	電泳黑(Electro-coating black)	1	
1	3.5mm PLUG		鍍金(GOLD)	1	

DIMENSIONS ARE IN MILLIMETERS UNLESS OTHERWISE SPECIFIED TOLERANCES ANGLES = ±5° UP TO 6 = ±0.2 6-40 = ±0.4 40-120 = ±0.6 120-315 = ±1 ABOVE 315 = ±1.6	APPROVED  DATE 2020-05-22	日昇電子股份有限公司 SUN RISE EXACT INDUSTRIAL CO.	
	CHECKED DATE		TITLE
	DRAWN 吳碧珊 DATE 2020-05-22		3.5mm MINI PHONE PLUG, ELECTRO-COATING BLACK
THIRD_ANGLE	FILE NO. D:\CAD\SP\5107010065_ SP110AP-G-C81-BK-SR_CA001A2	PART NO. SP110AP-G-C81-BK-SR	
SCALE 3/1	ERP LINK: 5107010065	REV. A2	

F  
E  
D  
C  
B  
A

F  
E  
D  
C  
B  
A

1 2 3 4 5 6 7 8