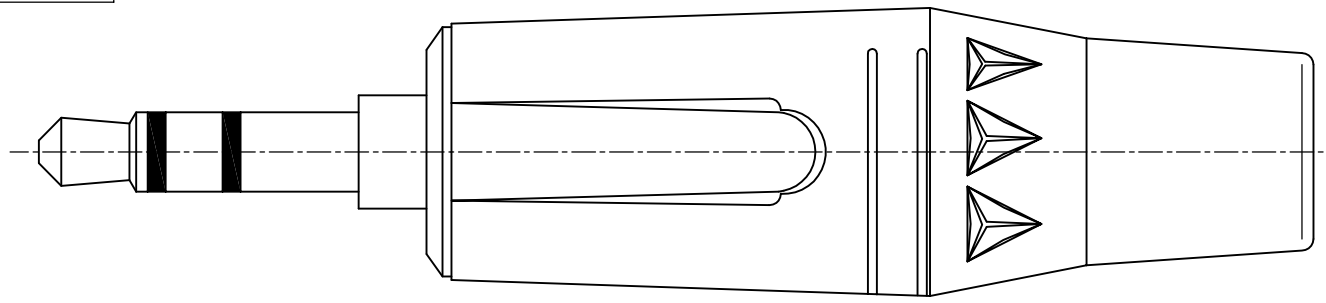
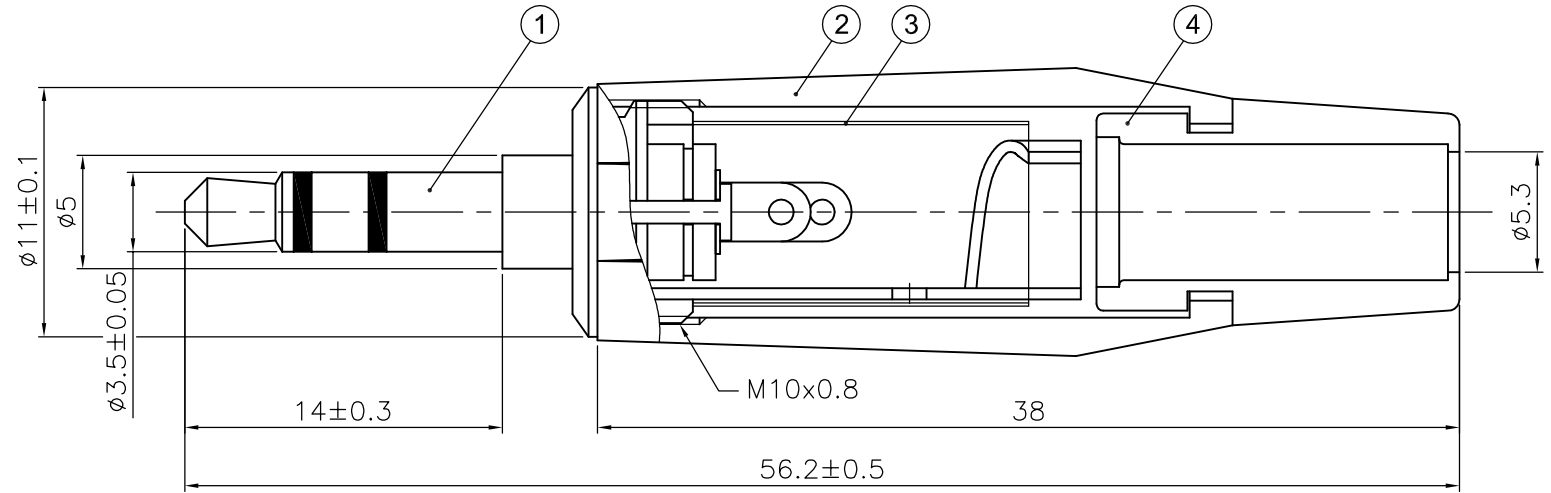


REVISIONS		
ISS	ZONE	DESCRIPTION\PER REQUEST\DATE
A2	A-2	修改外殼材質; 14.4±0.2改為14±0.3
V	OPEN	對客戶公開圖紙
	OPEN	對供應商公開圖紙
	CLOSED	僅限廠內使用



台灣日昇電子股份有限公司  
**ISSUE APPROVED**  
 發行核可 本文件與簽核紙本正本相符


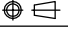


Note(備註):  
 1. Suitable for OD:6.0, exclude cover tail could be OD:7.0  
 (適用OD.: 6.0, 不含尾套可用到OD.: 7.0)

List:

半成品品號	ERP link(品號)	Part No.(品名)	Boot color(尾套顏色)
1601030262	5107010072	SP110AP-G-C81-BK	Black(黑色)
1601030263	5107010073	SP110AP-G-C81-RD	Red(紅色)

NO.	DESCRIPTION	MATERIAL	FINISH	Q'TY	DRAWING NO.
4	尾套(BOOT)	PVC	紅/黑 (RD/BK)	1	List
3	塑管(PLASTIC TUBE)	P.P.		1	
2	外殼(SHELL)	ZINC ALLOY	電泳黑(Electro-coating black)	1	
1	3.5mm PLUG		鍍金(GOLD)	1	

DIMENSIONS ARE IN MILLIMETERS		APPROVED  DATE 2020-05-21
UNLESS OTHERWISE SPECIFIED TOLERANCES		CHECKED _____ DATE _____
ANGLES = ±5°		DRAWN 吳碧珊 DATE 2020-05-21
UP TO 6 = ±0.2		FILE NO. D:\CAD\SP110\5107010072_
6-40 = ±0.4		SP110AP-G-C81-BK_CA001A2
40-120 = ±0.6		ERP LINK: 5107010072
120-315 = ±1		
ABOVE 315 = ±1.6		
THIRD_ANGLE		
SCALE	3/1	

	日昇電子股份有限公司 SUN RISE EXACT INDUSTRIAL CO.	
	TITLE 3.5mm MINI PHONE PLUG, ELECTRO-COATING BLACK	
PART NO.	SP110AP-G-C81-BK	REV. A2