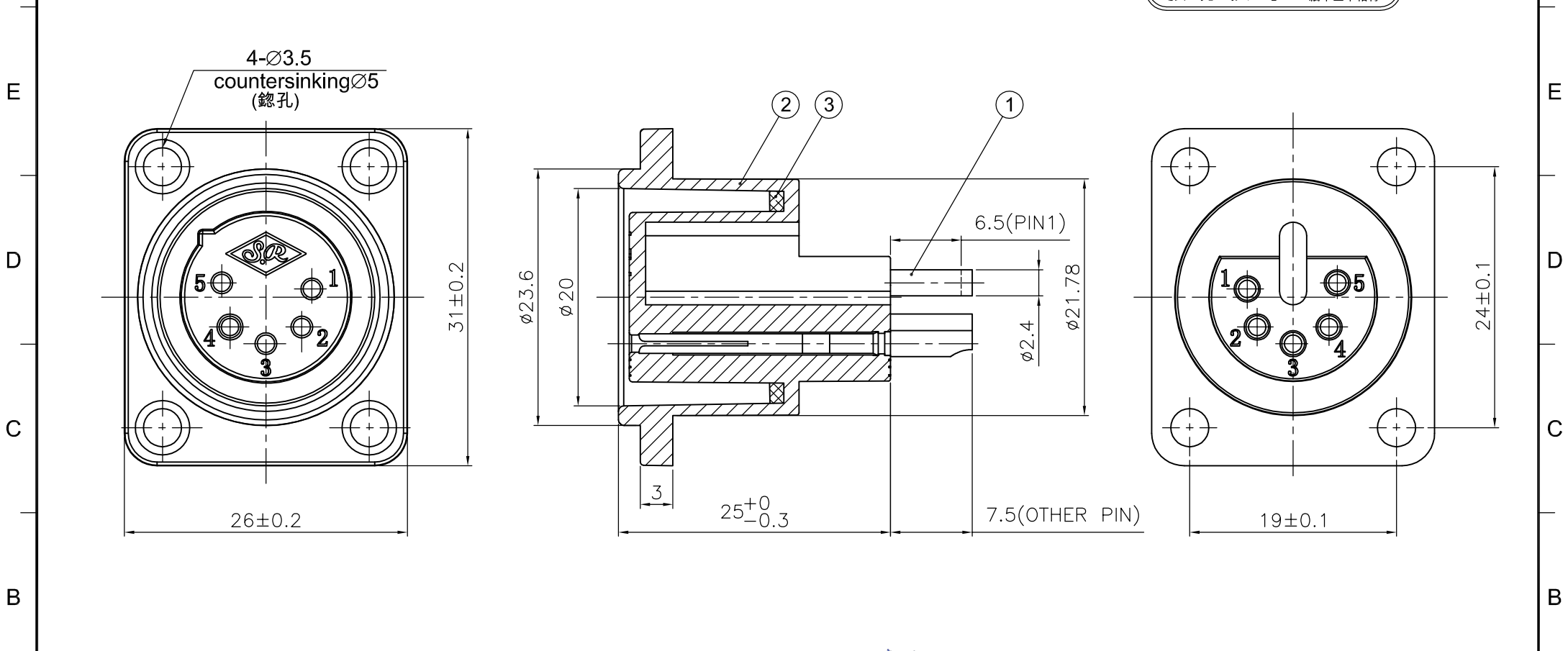


REVISIONS		
ISS	ZONE	DESCRIPTION\PER REQUEST\DATE
A6	C-5	增加插孔鉚壓尺寸6.5和7.5, 原插針改為一體式插針
F	V	對客戶公開圖紙
	OPEN	對供應商公開圖紙
	CLOSED	僅限廠內使用

Note(備註):
 1. Pin No.1 solder side compare with other pin solder side has less than $1\pm 0.15\text{mm}$
 (1號插針的焊杯端面比其他插針的焊杯端面低 $1\pm 0.15\text{mm}$)

台灣日昇電子股份有限公司
ISSUE APPROVED
 發行核可 本文件與簽核紙本正本相符



NO.	DESCRIPTION	MATERIAL	FINISH	Q'TY	DRAWING NO.
3	O型圈(O-WASHER)	SILICON	橙色(ORANGE)	1	1208010059
2	本體(BODY)	PA	黑色(BLACK)	1	4301010066
1	一體式插孔(PIN)	BRASS	鍍銀(SILVER)	5	3102020025

DIMENSIONS ARE IN MILLIMETERS		APPROVED	DATE
UNLESS OTHERWISE SPECIFIED TOLERANCES		吳碧珊	2020-12-24
ANGLES = $\pm 5^\circ$		CHECKED	DATE
UP TO 6 = ± 0.2		吳碧珊	2020-12-24
6-40 = ± 0.4		DRAWN	DATE
40-120 = ± 0.6		吳碧珊	2020-12-24
120-315 = ± 1		FILE NO.	D:\CAD\SVP561\5112020172_
ABOVE 315 = ± 1.6			SVP561P-S-3.5-WP-5P_CA001A6
THIRD_ANGLE	\oplus \square	ERP LINK:	5112020172
SCALE	2/1		

	日昇電子股份有限公司	TITLE	5P XLR FEMALE CHASSIS CONNECTOR, PLASTIC, SOLDER PIN	
	SUN RISE EXACT INDUSTRIAL CO.			
	PART NO.	SVP561P-S-3.5-WP-5P	REV.	A6