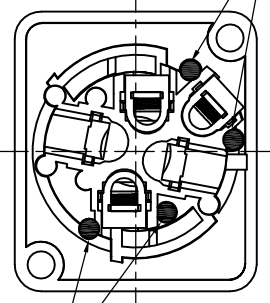


REVISIONS		
ISS	ZONE	DESCRIPTION\PER REQUEST\DATE
V	OPEN	對客戶公開圖紙
	OPEN	對供應商公開圖紙
	CLOSED	僅限廠內使用

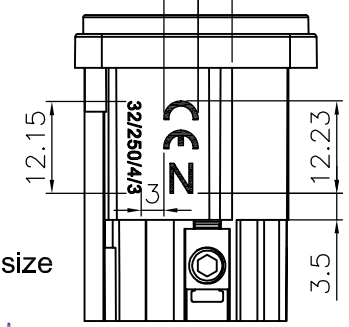
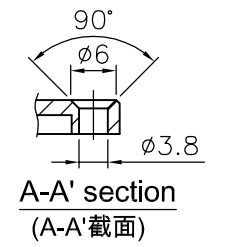
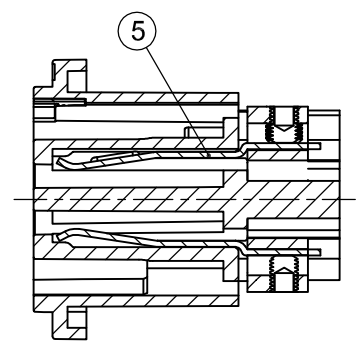
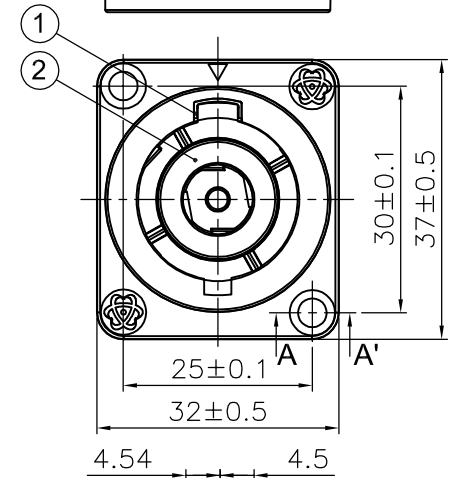
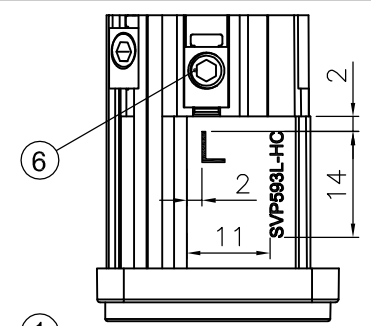
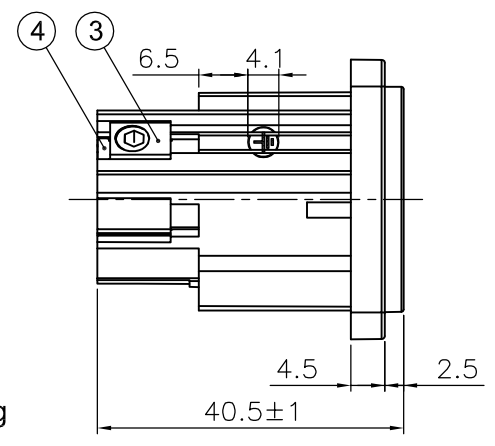
台灣日昇電子股份有限公司
ISSUE APPROVED
 發行核可
本文件與簽核紙本正本相符

GND phase green printing
 (地線綠色點漆)



N phase white printing
 (N向白色點漆)

Note(備註):
 1. To enhance the phase marking, the ground wire will be pointed with green paint. The "N" phase will be painted white.
 (地線增加綠色點漆, N向白色點漆, 加強相線標示)



NO.	DESCRIPTION	MATERIAL	FINISH	Q'TY	DRAWING NO.
6	內六角螺絲(M5x5) (INNER HEX. SCREW)	Q235	鍍鎳(NICKEL)	3	1406020103
5	正負短針 (L/N SHORT PIN)	PHOSPHOR BRONZE	鍍銀(SILVER)	2	3102010064
4	接地長針 (GND LONG PIN)	PHOSPHOR BRONZE	鍍銀(SILVER)	1	3102010065
3	異形銅(SLEEVE)	H59-1	鍍鎳(NICKEL)	3	3103050012
2	塑座(PLASTIC BASE) (UL94V0)	PA66	黑色(BLACK)	1	4301030040
1	銅固定片 (SHEET METAL)	H62	鍍鎳(NICKEL)	1	3103040161

DIMENSIONS ARE IN MILLIMETERS		APPROVED	DATE
UNLESS OTHERWISE SPECIFIED TOLERANCES		吳碧珊	2018-09-12
ANGLES = ±5°		CHECKED	DATE
UP TO 6 = ±0.2		吳碧珊	2018-08-28
6-40 = ±0.4		DRAWN	DATE
40-120 = ±0.6		吳碧珊	2018-08-28
120-315 = ±1		FILE NO.	D:\CAD\SVP\5113190029_
ABOVE 315 = ±1.6		SVP593L-HC_CA001A1	
THIRD_ANGLE	☉	ERP LINK:	5113190029
SCALE	1/1		

日昇電子股份有限公司 SUN RISE EXACT INDUSTRIAL CO.	
TITLE 32A POWER MALE PANEL MOUNT CONNECTOR FOR INPUT	
PART NO.	SVP593L-HC
REV.	A1