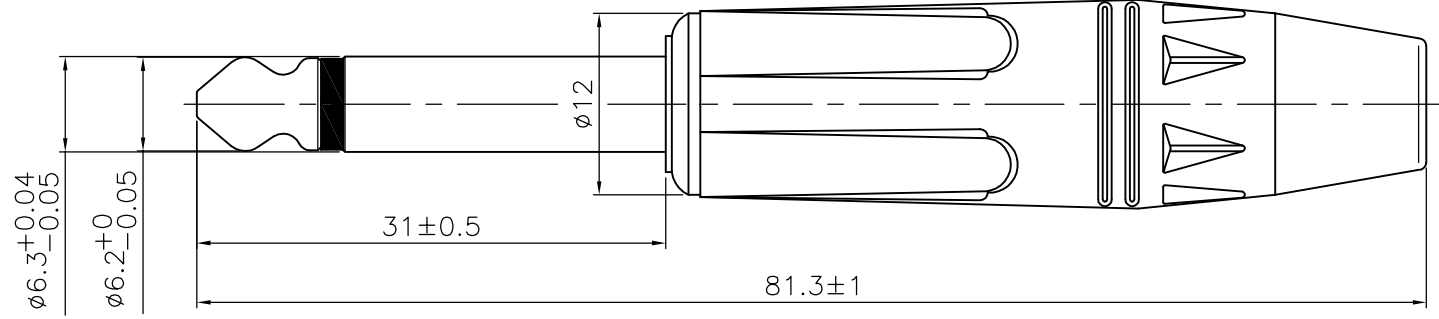
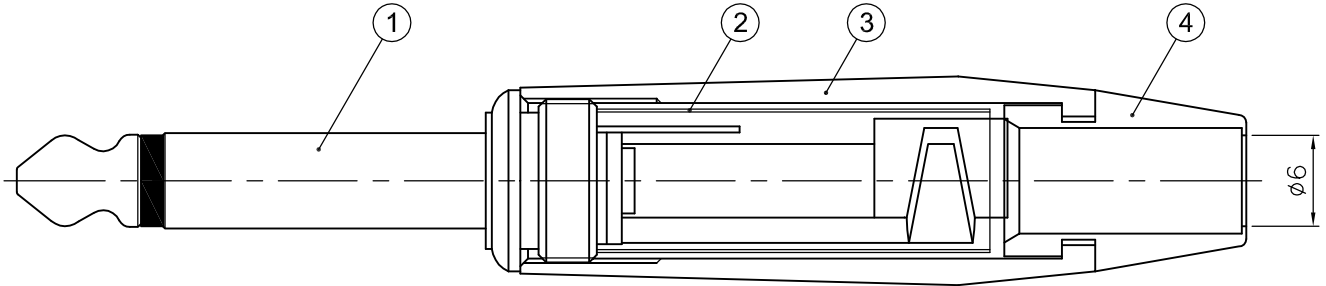


1 2 3 4 5 6 7 8

REVISIONS		
ISS	ZONE	DESCRIPTION\PER REQUEST\DATE
A2	B-2	修改備註的適用線徑
V	OPEN	對客戶公開圖紙
	OPEN	對供應商公開圖紙
	CLOSED	僅限廠內使用

台灣日昇電子股份有限公司
ISSUE APPROVED
 發行核可
本文件與簽核紙本正本相符



Note(備註):
 1. Suitable for OD: 5~7.5, exclude cover tail could be OD:8.0
 (適用OD.: 5~7.5, 不含尾套可用到OD.: 8.0)

6.3mm body part: solder terminals are all tin-plated
 (6.3mm頭段內焊接端子均為鍍錫)

NO.	DESCRIPTION	MATERIAL	FINISH	Q'TY	DRAWING NO.
4	尾套(BOOT)	PVC	黑色(BLACK)	1	1601020129
3	外殼(SHELL)	ZINC ALLOY	鍍鎳(NICKEL)	1	
2	塑管(PLASTIC TUBE)	P.P.		1	
1	6.3mm頭段 (6.3mm BODY PART)	H62	鍍金(GOLD)	1	

DIMENSIONS ARE IN MILLIMETERS		APPROVED	DATE
UNLESS OTHERWISE SPECIFIED TOLERANCES		<i>吳碧珊</i>	2020-09-25
ANGLES = ±5°		CHECKED	DATE
UP TO 6 = ±0.2			
6-40 = ±0.4		DRAWN	DATE
40-120 = ±0.6		吳碧珊	2020-09-25
120-315 = ±1		FILE NO. D:\CAD\SP101\5102010331_	
ABOVE 315 = ±1.6		SP102-CPA-PG_CA001A2	
THIRD_ANGLE		ERP LINK:	5102010331
SCALE	2/1		

	日昇電子股份有限公司 SUN RISE EXACT INDUSTRIAL CO.	TITLE	6.3mm MONO PHONE PLUG CABLE OD.: 5~8mm	
	PART NO.	SP102-CPA-PG	REV.	A2

1 2 3 4 5 6 7 8