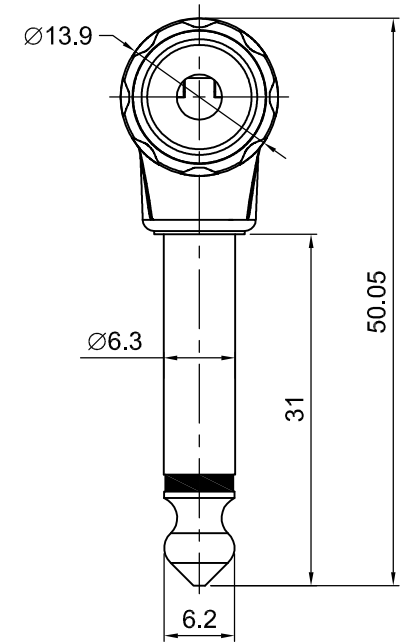
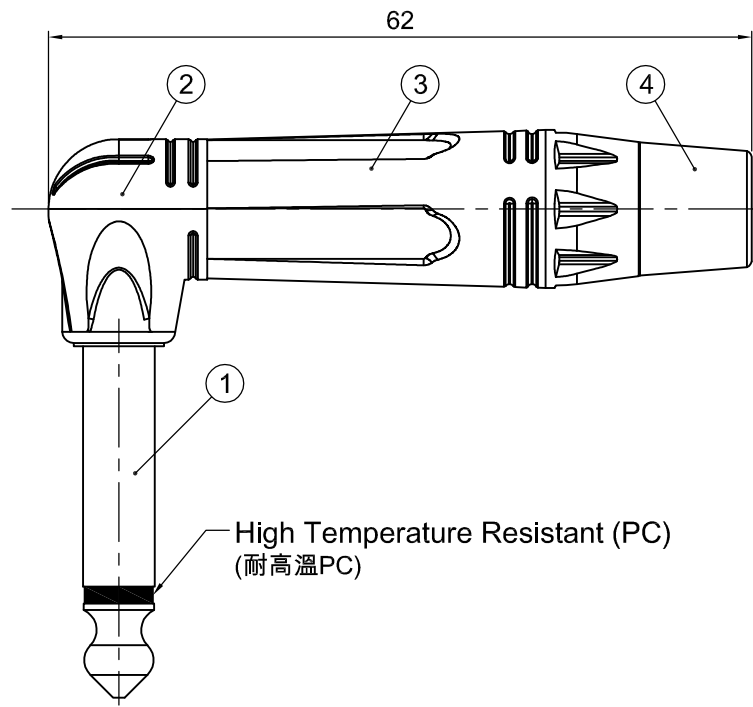


REVISIONS		
ISS	ZONE	DESCRIPTION/PER REQUEST/DATE
A3	ALL	更新零件表,49.5 <sup>+0.5</sup> / <sub>-0.2</sub> 改為50.05,合併品名,新增備註
V	OPEN	對客戶公開圖紙
	OPEN	對供應商公開圖紙
	CLOSED	僅限廠內使用



台灣日昇電子股份有限公司  
**ISSUE APPROVED**  
 發行核可  
本文件與簽核紙本正本相符

品名-SR代表租賃工程SR包裝袋

ERP link (品號)	Part No. (品名)	Shell finish (外殼電鍍)	6.3mm body finish (6.3mm頭段電鍍)	半成品品號
5102010317	SP102-CPA-R-S-NT-PG-SR	Nickel Tin(黑鍍)	Gold (鍍金)	1601020126
5102010334	SP102-CPA-R-S-BK-PG	Electro-coating Black(電泳黑)		1601020132
5102010350	SP102-CPA-R-S-PG	Nickel (鍍鍍)	Nickel (鍍鍍)	1601020134
5102010333	SP102-CPA-R-S	Nickel (鍍鍍)		1601020131

Note(備註):  
 1. Suitable for OD: 5~7.5mm, exclude cover tail could be OD:8.0mm  
 (適用OD.: 5~7.5mm, 不含尾套可用到OD.: 8.0mm)

6.3mm body part: solder terminals are all tin-plated  
 (6.3mm頭段內焊接端子均為鍍錫)

NO.	DESCRIPTION	MATERIAL	FINISH	Q'TY	DRAWING NO.
4	尾套(COVER TAIL)	PVC	黑色(BLACK)	1	1601020126
3	外殼(SHELL)	ZINC ALLOY	Nickel Tin (黑鍍)	1	
2	後蓋(BACK COVER)	ZINC ALLOY	Nickel Tin (黑鍍)	1	
1	6.3mm頭段 (6.3mm BODY PART)		鍍金(GOLD)	1	

DIMENSIONS ARE IN MILLIMETERS		APPROVED  DATE 2022-04-01
UNLESS OTHERWISE SPECIFIED TOLERANCES		CHECKED DATE
ANGLES = ±5°		DRAWN 吳碧珊 DATE 2022-03-31
UP TO 6 = ±0.2		FILE NO. D:\CAD\SP102\5102010317_
6-40 = ±0.4		SP102-CPA-R-S-NT-PG-SR_CA001A3
40-120 = ±0.6		ERP LINK: 5102010317
120-315 = ±1		
ABOVE 315 = ±1.6		
THIRD_ANGLE		
SCALE	1.5/1	

<b>日昇電子股份有限公司</b> SUN RISE EXACT INDUSTRIAL CO.		TITLE	
		6.3mm R/A MONO PHONE PLUG, CABLE OD: 5~8mm	
PART NO. SP102-CPA-R-S-NT-PG-SR		REV.	A3

F  
E  
D  
C  
B  
A

F  
E  
D  
C  
B  
A