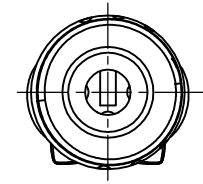
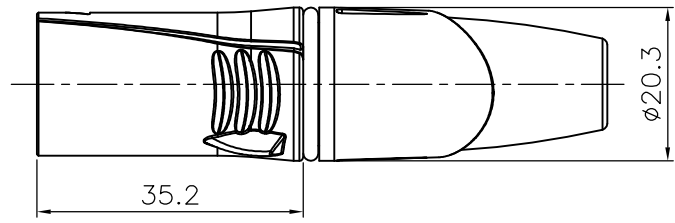
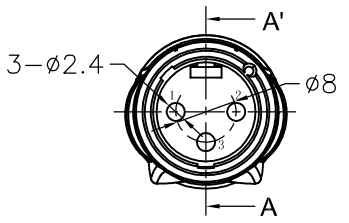
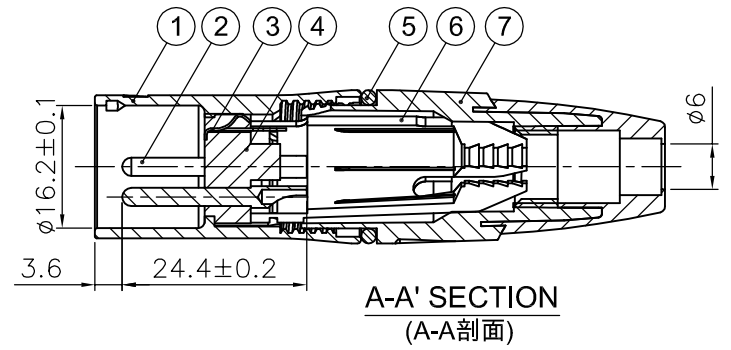
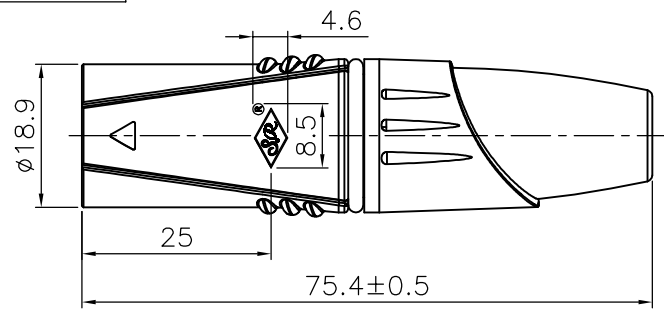



REVISIONS		
ISS	ZONE	DESCRIPTION\PER REQUEST\DATE
A2	E-3	SR logo尺寸8改為8.5,新增4.6尺寸
V	OPEN	對客戶公開圖紙
	OPEN	對供應商公開圖紙
	CLOSED	僅限廠內使用



台灣日昇電子股份有限公司
ISSUE APPROVED
 發行核可 本文件與審核紙本正本相符

- Notes(備註):
- SR® trademark is carved by laser. (SR®商標為雷射雕刻)
 - Insulator with a S.R logo (塑粒上有S.R商標)
 - ★3. Remove O-ring used for cable O.D.: 3.3~4.8mm, Standard connector used for cable O.D.: 5.0~6.8mm(below) (拿掉O型圈適用線徑3.3~4.8mm, 標準接頭適用線徑5.0~6.8mm以下)

NO.	DESCRIPTION	MATERIAL	FINISH	Q'TY	DRAWING NO.	SCALE	1/1	ERP LINK:	5111070504	PART NO.	SVP555V-BK	REV.	A2	
7	螺套+尾套(CAP+BOOT)	PA6+TPR	黑+灰(BK+GY)	1	4301060117	DIMENSIONS ARE IN MILLIMETERS UNLESS OTHERWISE SPECIFIED TOLERANCES ANGLES = ±5° UP TO 6 = ±0.2 6-40 = ±0.4 40-120 = ±0.6 120-315 = ±1 ABOVE 315 = ±1.6		APPROVED	DATE	 日昇電子股份有限公司 SUN RISE EXACT INDUSTRIAL CO.				
6	夾線爪(CABLE CLAMP)	POM	白色(WHITE)	1	4301070022			CHECKED	DATE					
5	O型圈(O-RING)	SILICON	黑色(BLACK)	1	1209100039			DRAWN	DATE					
4	塑粒(INSULATOR)	PA	黑色(BLACK)	1	4401110120				吳碧珊	2020-03-18	TITLE			
3	接地片(GROUND)	H62	鍍錫(TIN)	1	(SVP555S-0-SR)				FILE NO.	D:\CAD\SVP555\5111070504_ SVP555V-BK_CA001A2	3PIN XLR MALE CONNECTOR BLACK SHELL			
2	插針(PIN)	H59-1	鍍銀(SILVER)	3					THIRD_ANGLE		PART NO.			
1	鋅殼(DIE CAST SHELL)	ZZnAL4-1	電泳黑(Electro-coating black)	1	3104040110						SVP555V-BK			