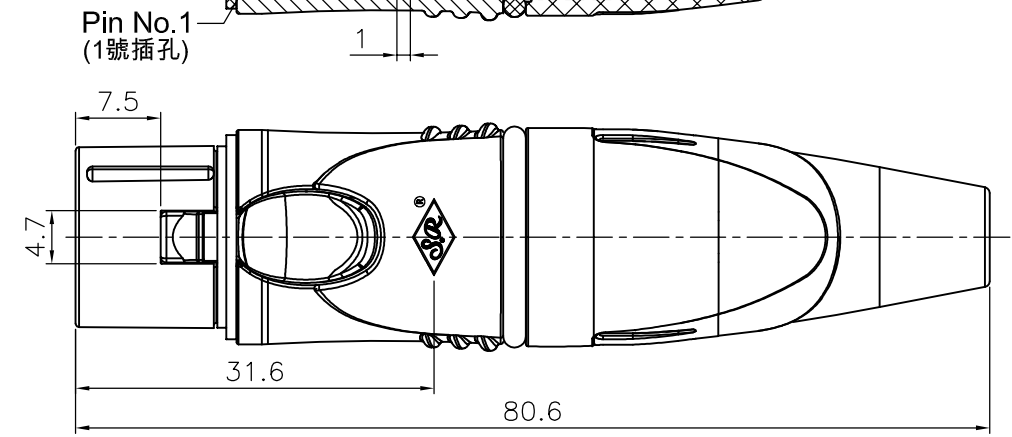
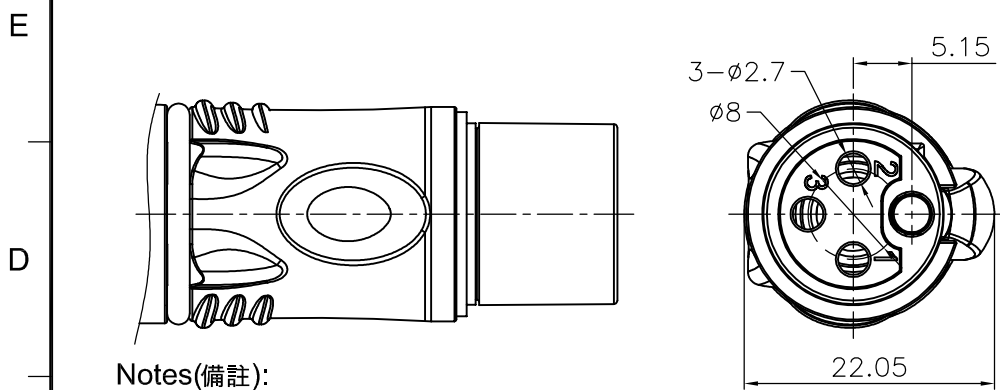
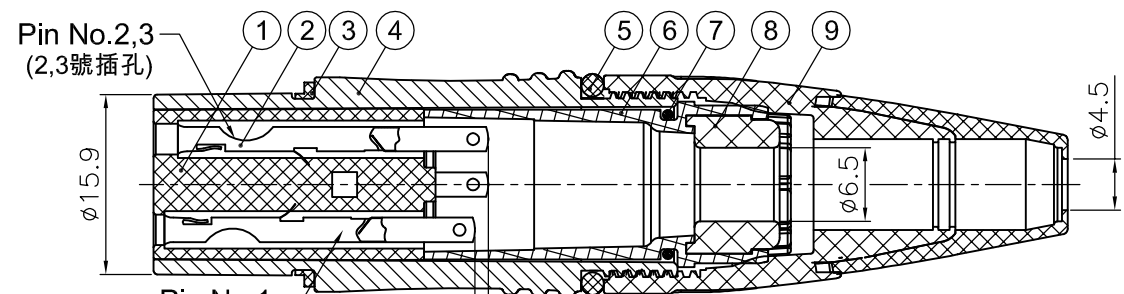
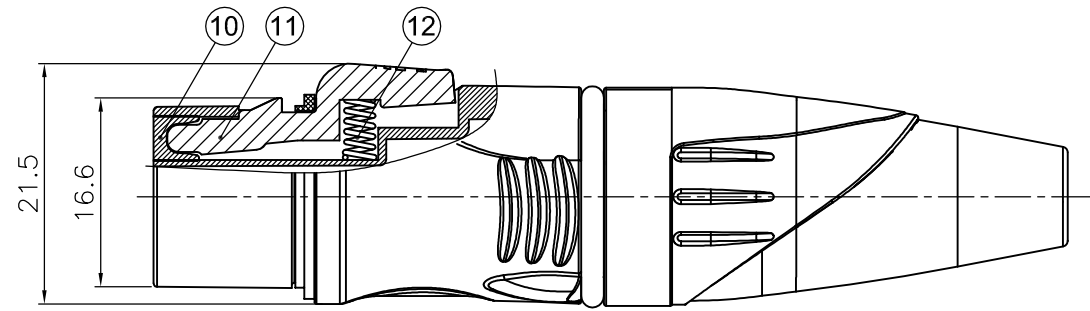


REVISIONS		
ISS	ZONE	DESCRIPTION\PER REQUEST\DATE
A2	D-6	S.R商標增加®
V	OPEN	對客戶公開圖紙
	OPEN	對供應商公開圖紙
	CLOSED	僅限廠內使用

台灣日昇電子股份有限公司
ISSUE APPROVED
 發行核可
本文件與簽核紙本正本相符



- Notes(備註):
- Pin No.1 solder side compare with other pin solder side has less than 1 ± 0.15 (1號插針的焊杯端面比其他插針的焊杯端面低 1 ± 0.15)
 - ☞ trademark is carving by laser. (☞商標為雷射雕刻)



12	彈簧 (SPRING)	SPRING STEEL		1	1404010015
11	按鍵(PUSH BUTTON)	ZZnAL4-1	電泳黑(Electro-coating black)	1	3104040092
10	按鍵堵塞(JAM)	H59-1	黑鋅(Zinc black)	1	3104040094
9	螺套+尾套(CAP+BOOT)	PA6+TPR	黑+灰(BK+GY)	1	4301060067
8	防水圈(WATERPROOF)	NBR	黑色(BLACK)	1	4401120173
7	O型圈(O-WASHER)	NBR	黑色(BLACK)	1	
6	夾線爪(CABLE CLAMP)	PA6	白色(WHITE)	1	1209100033
5	O型圈(O-WASHER)	NBR	橙色(ORANGE)	1	
4	鋅殼(DIE-CAST SHELL)	ZZnAL4-1	電泳黑(Electro-coating black)	1	4401140016
3	T型圈(T-WASHER)	NBR	橙色(ORANGE)	1	1208010059
2	插孔(FEMALE PIN)	PHOSPHOR BRONZE	鍍金(GOLD)	3	4401120195
1	塑粒(INSULATOR)	PA	黑色(BLACK)	1	
NO.	DESCRIPTION	MATERIAL	FINISH	Q'TY	DRAWING NO.

DIMENSIONS ARE IN MILLIMETERS		APPROVED	DATE
UNLESS OTHERWISE SPECIFIED TOLERANCES		蘇英哲	2019-02-25
ANGLES = $\pm 5^\circ$		CHECKED	DATE
UP TO 6 = ± 0.2		吳碧珊	2019-02-14
6-40 = ± 0.4		DRAWN	DATE
40-120 = ± 0.6		FILE NO.	D:\CAD\SVP556\5112010475_SVP556X-WP-BK-PG_CA001A2
120-315 = ± 1		ERP LINK:	5112010475
ABOVE 315 = ± 1.6			
THIRD_ANGLE	☉ ☐		
SCALE	1.5/1		

日昇電子股份有限公司 SUN RISE EXACT INDUSTRIAL CO.	
TITLE	
WATERPROOF 3P XLR FEMALE CONNECTOR PLATED GOLD PIN	
PART NO.	SVP556X-WP-BK-PG
REV.	A2