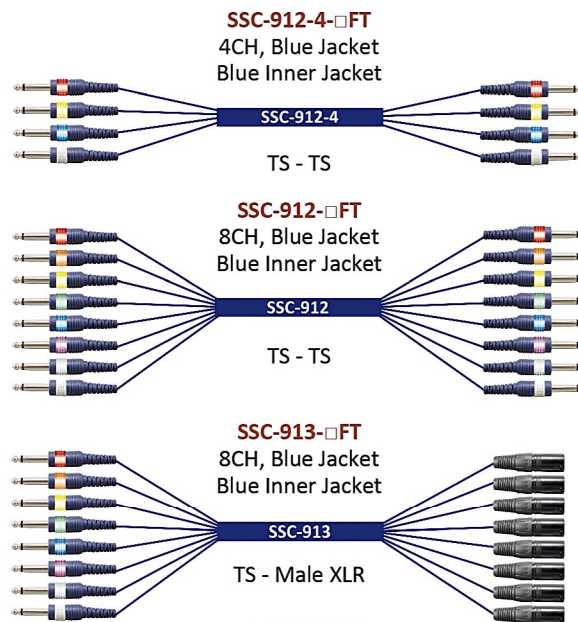
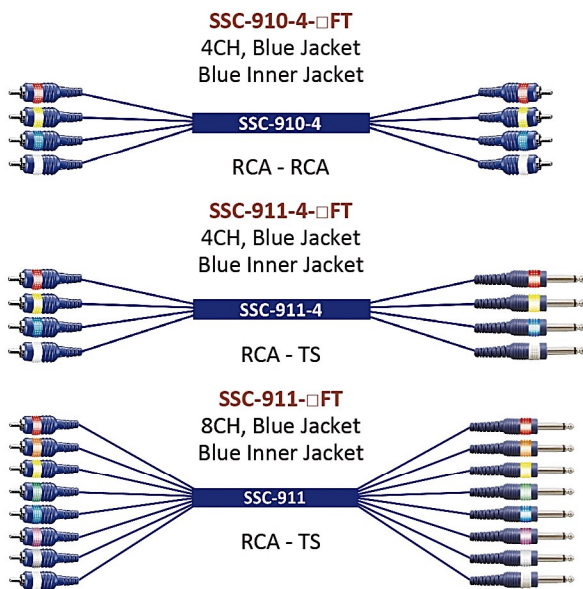
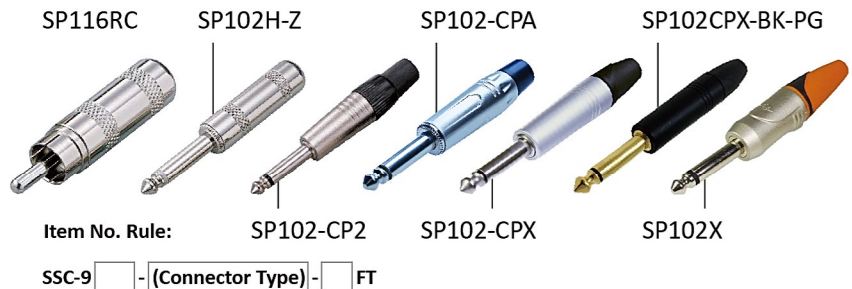


Unbalance Multi-Cable SSC-900 Series

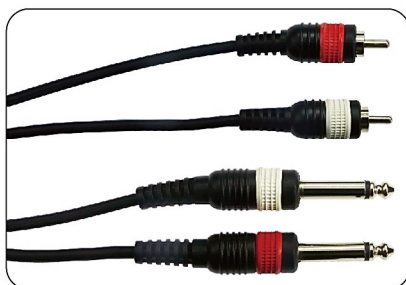
- Professional mixing console insert, foot switch, phone output and stereo channel input is unbalanced. The other 1/4" ports are TRS balanced input and output, please use TRS balanced connection.

Item No.	Connector A	Connector B	Channel Mark	Channel	Length
SSC-910-□FT	RCA Plug (Molded)	RCA Plug (Molded)	Color Ring	4/8	6/10/15/20 feet
SSC-911-□FT		TS Phone Plug (Molded)			
SSC-912-□FT	TS Phone Plug (Molded)	TS Phone Plug (Molded)	Color Ring	4/8	
SSC-912S-□FT	TRS Phone Plug (Molded)	TRS Phone Plug (Molded)			
SSC-913-□FT	TS Phone Plug (Molded)	Male XLR SVP555S-BK	Color Ring/Printing	4/8	
SSC-913S-□FT	TRS Phone Plug (Molded)				
SSC-919-4-□FT	TRS Phone Plug SP101H-Z*4	TS Phone Plug SP102H-Z*8	Printing	4 to 8	

Connector Type		
Remark	RCA Plug	Please refer to Page 86.
RC	SP116RC	
C□□	SP116G-C□□	
Remark	TRS Phone Plug	TS Phone Plug
H	SP101H-Z	SP102H-Z
P2	SP101CP2	SP102CP2
PA	SP101CPA	SP102CPA
PX	SP101CPX	SP102CPX
PXBG	SP101CPX-BK-PG	SP102CPX-BK-PG
X	SP101X	SP102X
XB	SP101X-BK	SP102X-BK



Molded Connector Type



SSC-919-4-□FT
4CH TRS to 8CH TS
Phone Plug Insert I/O
Blue Jacket and Blue Inner Jacket