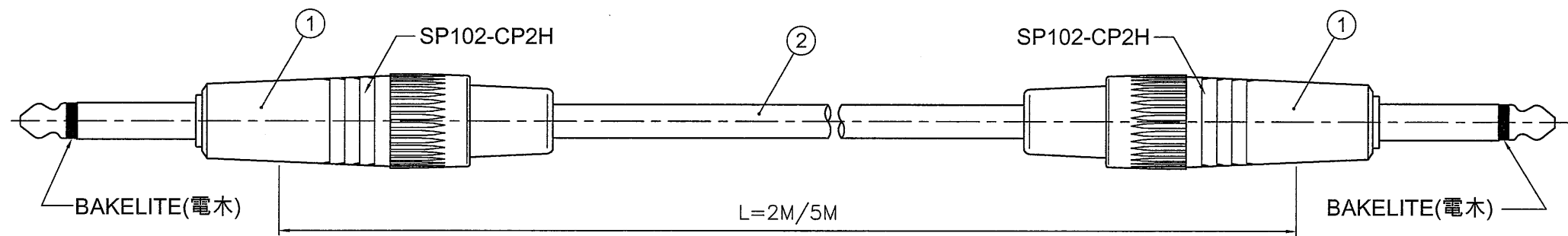


1 2 3 4 5 6 7 8

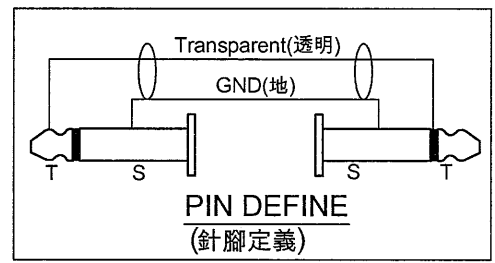
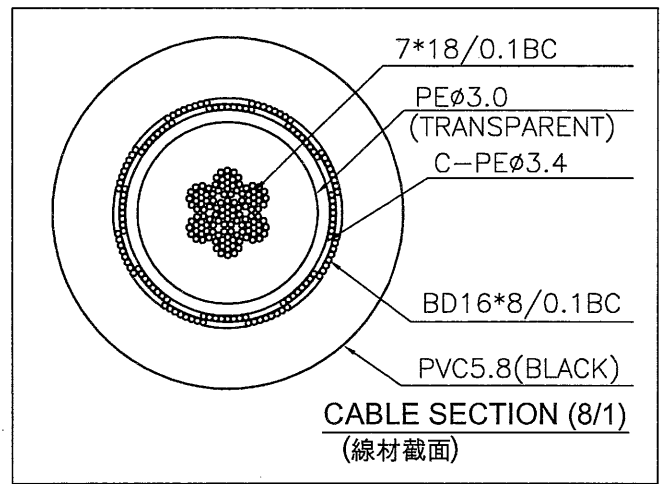
REVISIONS		
ISS	ZONE	DESCRIPTION\PER REQUEST\DATE
V	OPEN	對客戶公開圖紙
	OPEN	對供應商公開圖紙
	CLOSED	僅限廠內使用

台灣日昇電子股份有限公司  
**ISSUE APPROVED**  
 發行核可 本文件與被檢紙本正本相符

**SREXACT** GT-6 PROFESSIONAL GUITAR CABLE



CABLE NO.: 4101040019  
 (3070100132-01)



- NOTES(備註):
- Housing with a flower logo (鋅殼上有花型商標)
  - Insulator with a S.R logo (塑粒上有SR商標)
  - 每條線組品使用SR魔鬼扎帶束緊

DIMENSIONS ARE IN MILLIMETERS		APPROVED <i>黃英怡</i> DATE 2014-04-10
UNLESS OTHERWISE SPECIFIED TOLERANCES		CHECKED DATE 2014-04-10
ANGLES = ±5°		DRAWN 吳碧珊 DATE 2014-04-10
UP TO 6 = ±0.2		FILE NO. D:\CADISVCI
6-40 = ±0.4		5221010489/236_SVC693-33H-132-2M/5M_CA001A1
40-120 = ±0.6		ERP LINK: 5221010489 / 236
120-315 = ±1		
ABOVE 315 = ±1.6		
THIRD_ANGLE		
SCALE	1/1	

日昇電子股份有限公司 SUN RISE EXACT INDUSTRIAL CO.	
TITLE 2x 6.3mm STEREO PHONE PLUG + 3070100132 CABLE ASSEMBLY (L=2M/5M)	
PART NO. SVC693-33H-132-2M/5M	REV. A1

NO.	DESCRIPTION	MATERIAL	FINISH	Q'TY	DRAWING NO.
2	CABLE		黑色(BLACK)	1	3070100132-01
1	6.3mm STEREO PHONE PLUG		鍍鎳(NICKEL)	2	SP102-CP2H

1 2 3 4 5 6 7 8