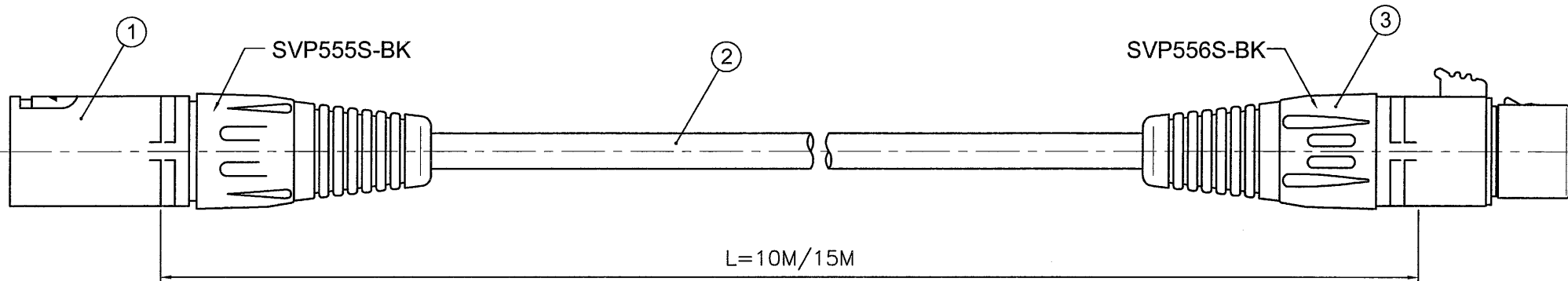


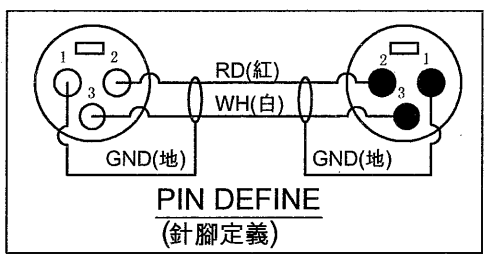
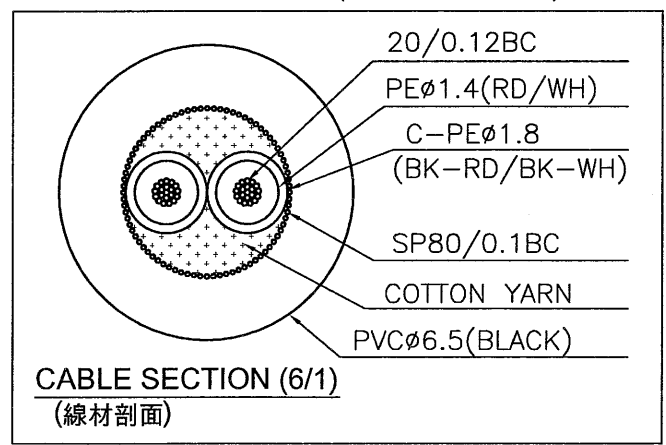
1			2			3			4			5			6			7			8		
REVISIONS																							
ISS	ZONE	DESCRIPTION\PER REQUEST\DATE																					
V	OPEN	對客戶公開圖紙																					
	OPEN	對供應商公開圖紙																					
	CLOSED	僅限廠內使用																					

台灣日昇電子股份有限公司
ISSUE APPROVED
 發行核可 本文件與簽核紙本正本相符

BREXACT PROFESSIONAL MICROPHONE CABLE (BALANCED & DOUBLE SHIELDED)



CABLE NO.: 4101020024
(3070100029-01)



- Notes(備註):
- Housing with a flower logo (鋅殼上有花型商標)
 - Insulator with a S.R logo (塑粒上有SR商標)
 - C-PE belongs to semiconductor material, before welding must strip off cleanly. (C-PE為半導體材質, 焊接前務必剝除乾淨)

DIMENSIONS ARE IN MILLIMETERS					APPROVED	DATE	日昇電子股份有限公司																						
UNLESS OTHERWISE SPECIFIED TOLERANCES					CHECKED	DATE	SUN RISE EXACT INDUSTRIAL CO.																						
ANGLES = ±5°					DRAWN	DATE	TITLE																						
UP TO 6 = ±0.2					吳碧珊	2014-08-13	XLR MALE TO FEMALE CABLE ASSEMBLY (L=10M/15M)																						
6-40 = ±0.4					FILE NO.	5216020507/08_SVC675S-29-10M/15M_CA001A1																							
40-120 = ±0.6					ERP LINK:	5216020507 / 08																							
120-315 = ±1					THIRD_ANGLE	PART NO. SVC675S-BK-29-10M/15M																							
ABOVE 315 = ±1.6					SCALE	REV. A1																							
3					4					5					6					7					8				

3	XLR FEMALE CONNECTOR	電泳黑 (ELECTRO-COATING BLACK)	1	SVP556S-BK	
2	CABLE	黑色 (BLACK)	1	3070100029-01	
1	XLR MALE CONNECTOR	電泳黑 (ELECTRO-COATING BLACK)	1	SVP555S-BK	
NO.	DESCRIPTION	MATERIAL	FINISH	Q'TY	DRAWING NO.