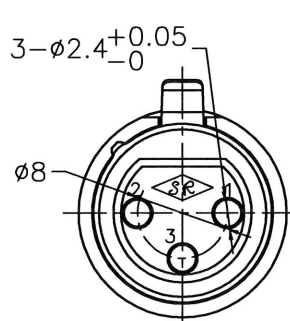
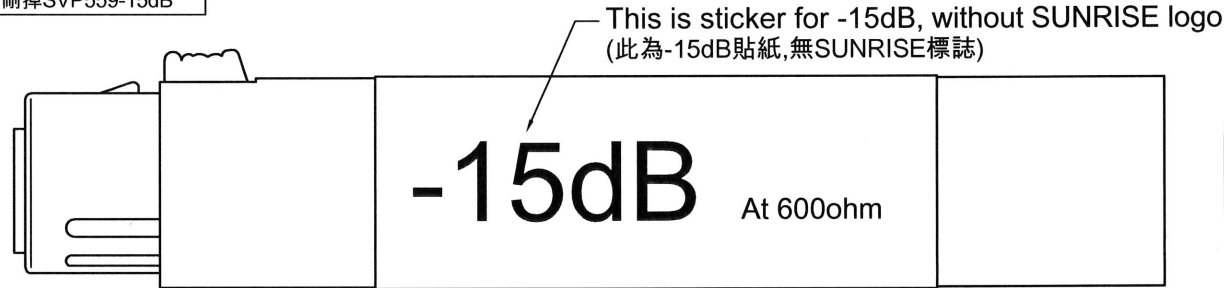
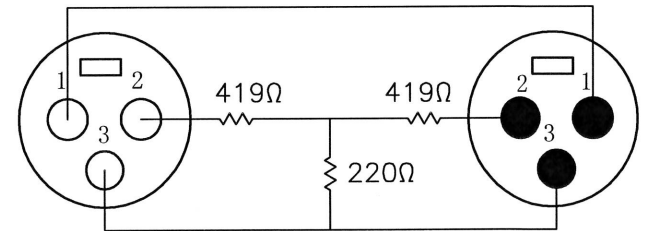
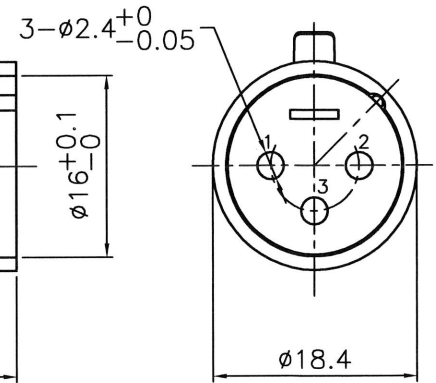
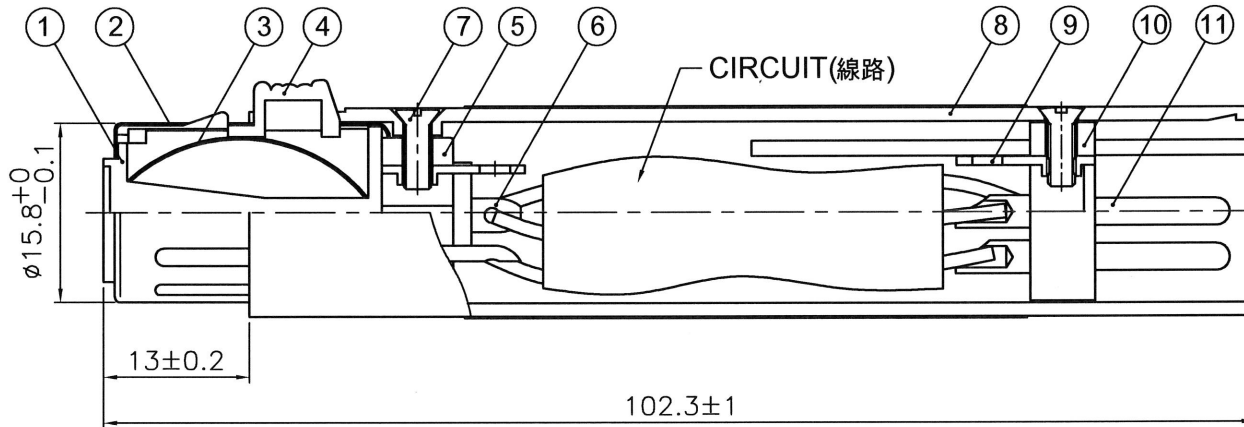


REVISIONS		
ISS	ZONE	DESCRIPTION\PER REQUEST\DATE
A4	C-1	母頭端加S.R LOGO(模具問題),刪掉SVP559-15dB
V	OPEN	對客戶公開圖紙
	OPEN	對供應商公開圖紙
	CLOSED	僅限廠內使用



(工廠只有 S.R logo 模具)



11	插針(PIN)	H59-1	鍍銀(SILVER)	3	4401110034
10	塑粒(INSULATOR)	PA	黑色(BLACK)	1	(SVP555B-0-NL)
9	端子(TERMINAL)	H62	鍍銀(SILVER)	2	
8	鋅殼(DIE-CAST SHELL)	ZZnAL4-1	鍍鎳(NICKEL)	1	3103040077
7	螺絲(SCREW)	A3	鍍鎳(NICKEL)	2	1406020013
6	插孔(FEMALE PIN)	A3	鍍銀(SILVER)	3	4401120193
5	塑粒(INSULATOR)	PA	黑色(BLACK)	1	(SVP556A-0)
4	按鍵(PUSH BUTTON)	ZZnAL4-1	鍍鎳(NICKEL)	1	
3	彈片(SPRING)	STAINLESS STEEL		1	
2	銅殼(BRASS SHELL)	H68	鍍鎳(NICKEL)	1	
1	塑粒(INSULATOR)	PA	黑色(BLACK)	1	
NO.	DESCRIPTION	MATERIAL	FINISH	Q'TY	DRAWING NO.

DIMENSIONS ARE IN MILLIMETERS	
UNLESS OTHERWISE SPECIFIED TOLERANCES	
ANGLES = ±5°	
UP TO 6 = ±0.2	
6-40 = ±0.4	
40-120 = ±0.6	
120-315 = ±1	
ABOVE 315 = ±1.6	
THIRD_ANGLE	
SCALE	1.5/1

APPROVED		DATE	2018-03-23
CHECKED		DATE	
DRAWN	吳碧珊	DATE	2018-03-19
FILE NO. D:\CAD\SVP其他系列\2\5113030010_SVP559-15dB-NL_CA001A4			
ERP LINK:	5113030010		

		日昇電子股份有限公司 SUN RISE EXACT INDUSTRIAL CO.	
TITLE XLR FEMALE TO XLR MALE ADAPTOR WITH -15dB PAD			
PART NO.	SVP559-15dB-NL	REV.	A4