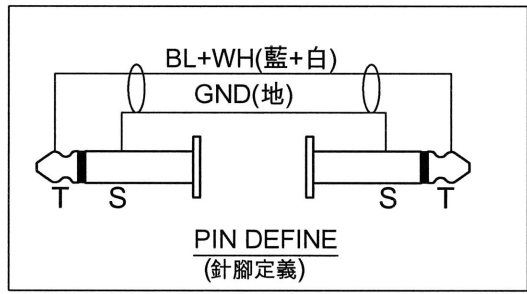
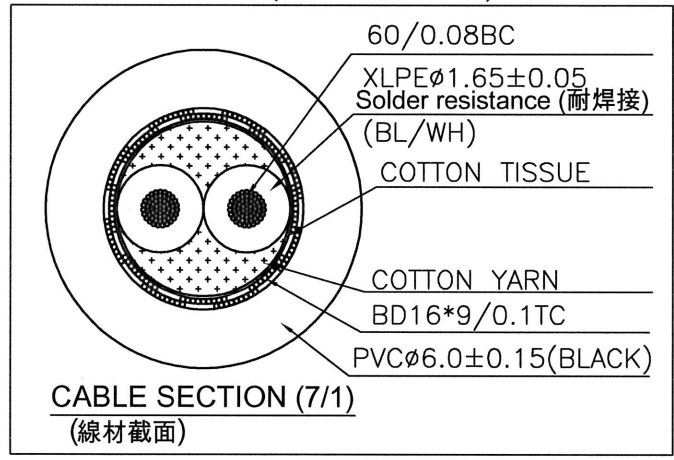


台灣日昇電子股份有限公司
ISSUE APPROVED
 發行核可 本文件與紙本
 紙本正本相符

REVISIONS		
ISS	ZONE	DESCRIPTION\PER REQUEST\DATE
V	OPEN	對客戶公開圖紙
	OPEN	對供應商公開圖紙
	CLOSED	僅限廠內使用

CABLE NO.: 4101020162
 (3070101710-01)



DIMENSIONS ARE IN MILLIMETERS UNLESS OTHERWISE SPECIFIED TOLERANCES ANGLES = \pm 5° UP TO 6 = \pm 0.2 6-40 = \pm 0.4 40-120 = \pm 0.6 120-315 = \pm 1 ABOVE 315 = \pm 1.6					APPROVED DATE 2017-04-27 CHECKED DATE DRAWN 吳碧珊 DATE 2017-04-27		日昇電子股份有限公司 SUN RISE EXACT INDUSTRIAL CO.		
THIRD_ANGLE					FILE NO. D:\CAD\SVC\5221010776_ SVC692-RR-1710-3M-SR_CA001A1		TITLE 2*SP102-CP2-PA+3070101710 CABLE ASSEMBLY (L=3M)		
SCALE 1/1					ERP LINK: 5221010776		PART NO. SVC692-RR-1710-3M-SR		REV. A1

NO.	DESCRIPTION	MATERIAL	FINISH	Q'TY	DRAWING NO.
2	CABLE		黑色(BLACK)	1	3070101710-01
1	PHONE PLUG MONO		鍍鎳(NICKEL)	2	SP102-CP2-PA

F
E
D
C
B
A

F
E
D
C
B
A

1 2 3 4 5 6 7 8

1 2 3 4 5 6 7 8