
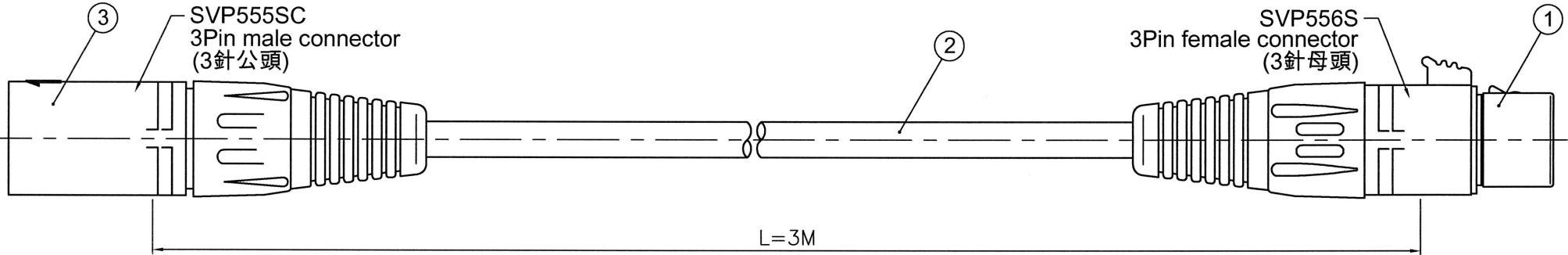


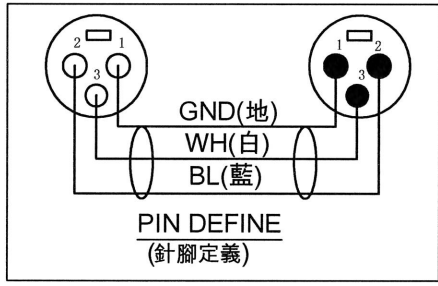
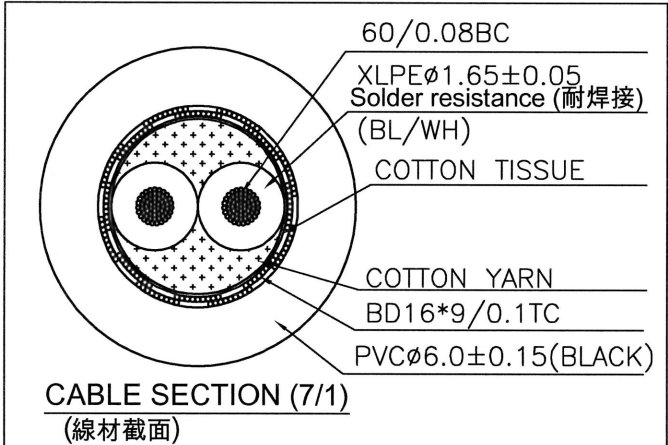
REVISIONS		
ISS	ZONE	DESCRIPTION\PER REQUEST\DATE
V	OPEN	對客戶公開圖紙
	OPEN	對供應商公開圖紙
	CLOSED	僅限廠內使用

台灣日昇電子股份有限公司
ISSUE APPROVED
 發行核可 本文件與簽核紙本正本相符


S-1710  PROFESSIONAL MICROPHONE CABLE




CABLE NO.: 4101020162
 (3070101710-01)



- Notes(備註):
1. Housing with a flower logo (鋅殼上有花型商標)
 2. Insulator with a S.R logo (塑粒上有SR商標)

DIMENSIONS ARE IN MILLIMETERS UNLESS OTHERWISE SPECIFIED TOLERANCES ANGLES = ±5° UP TO 6 = ±0.2 6-40 = ±0.4 40-120 = ±0.6 120-315 = ±1 ABOVE 315 = ±1.6	APPROVED  DATE 2017-04-27
	CHECKED DATE
	DRAWN 吳碧珊 DATE 2017-04-27
	FILE NO. D:\CAD\SVC\5221010773_ SVC692-74-1710-3M-SR_CA001A1
THIRD_ANGLE 	ERP LINK: 5221010773
SCALE 1/1	

 日昇電子股份有限公司
 SUN RISE EXACT INDUSTRIAL CO.

TITLE: SVP555SC+3070101710+SVP556S
 CABLE ASSEMBLY (L=3M)

PART NO. SVC692-74-1710-3M-SR REV. A1

NO.	DESCRIPTION	MATERIAL	FINISH	Q'TY	DRAWING NO.
3	XLR MALE		鍍鎳(NICKEL)	1	SVP555SC
2	CABLE		黑色(BLACK)	1	3070101710-01
1	XLR FEMALE		鍍鎳(NICKEL)	1	SVP556S