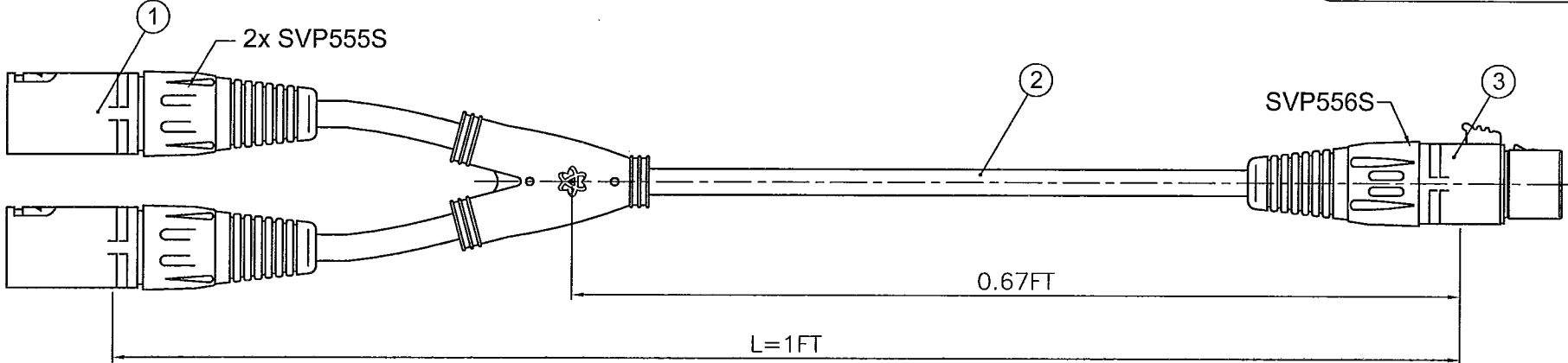


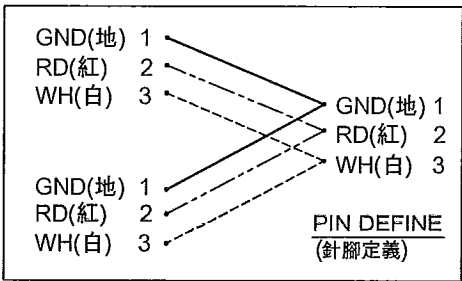
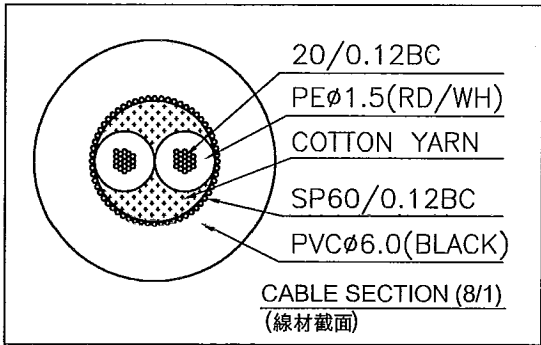
REVISIONS		
ISS	ZONE	DESCRIPTION\PER REQUEST\DATE
V	OPEN	對客戶公開圖紙
	OPEN	對供應商公開圖紙
	CLOSED	僅限廠內使用

台灣日昇電子股份有限公司
ISSUE APPROVED
 發行核可 本文件與審核紙本正本相符

sunrise PROFESSIONAL LOW NOISE MICROPHONE CABLE



CABLE NO.:4101020013
 (3070100012-01)



DIMENSIONS ARE IN MILLIMETERS UNLESS OTHERWISE SPECIFIED TOLERANCES ANGLES = ±5° UP TO 6 = ±0.2 6-40 = ±0.4 40-120 = ±0.6 120-315 = ±1 ABOVE 315 = ±1.6 THIRD_ANGLE SCALE 1/1.5	APPROVED DATE 2014-11-28
	CHECKED DATE 2014-11-28
	DRAWN 吳碧珊 DATE 2014-11-21
	FILE NO. D:\CAD\SC1 5223020192_SC7103S-1FT_CA001A1
ERP LINK: 5223020192	



日昇電子股份有限公司
 SUN RISE EXACT INDUSTRIAL CO.

TITLE
 XLR FEMALE TO 2x XLR MALE BALANCE MONO
 Y TYPE CABLE ASSEMBLY (L=1FT)

NO.	DESCRIPTION	MATERIAL	FINISH	Q'TY	DRAWING NO.
3	XLR FEMALE		鍍鎳(NICKEL)	1	SVP556S
2	CABLE		黑色(BLACK)	1	3070100012-01
1	XLR MALE		鍍鎳(NICKEL)	2	SVP555S

PART NO. SC7103S-1FT	REV. A1
----------------------	---------