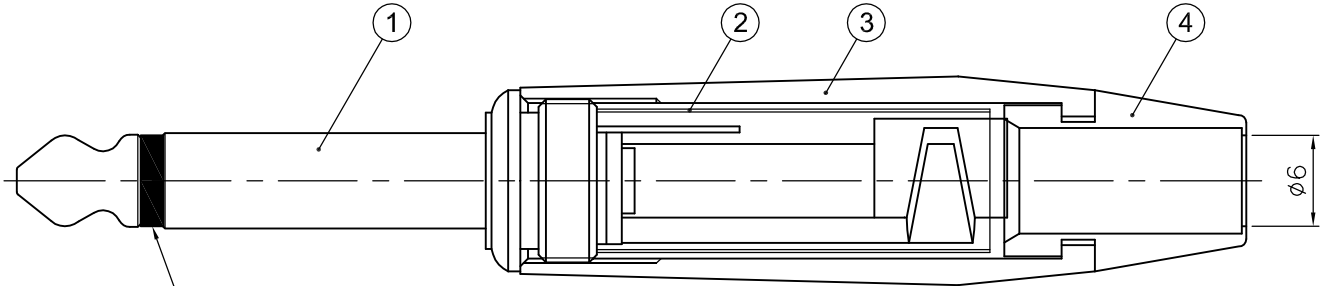
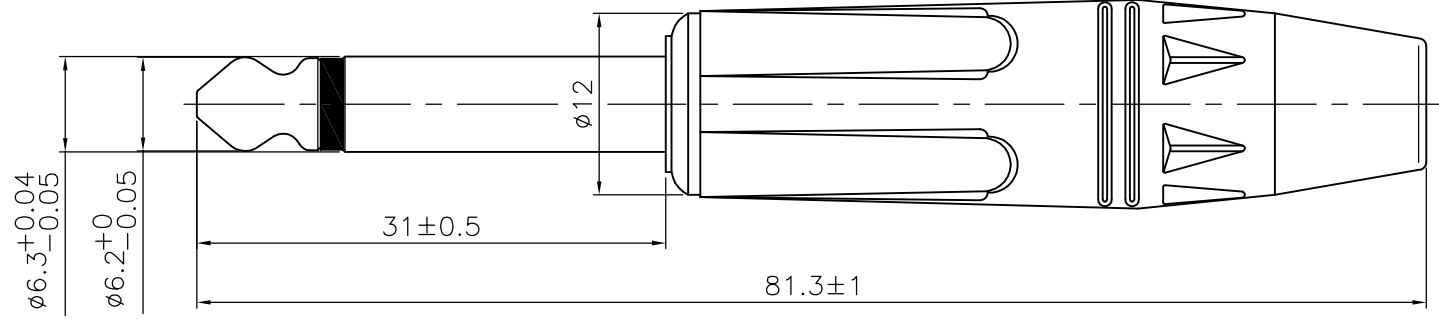


REVISIONS		
ISS	ZONE	DESCRIPTION\PER REQUEST\DATE
A3	ALL	修改產品表示方式,增加TITLE說明
V	OPEN	對客戶公開圖紙
	OPEN	對供應商公開圖紙
	CLOSED	僅限廠內使用

台灣日昇電子股份有限公司
ISSUE APPROVED
 發行核可 本文件與簽核紙本正本相符



High Temperature Resistant (PC)
 (耐高溫PC)



Note(備註):
 1. Suitable for OD: 5~7.5, exclude cover tail could be OD:8.0
 (適用OD.: 5~7.5, 不含尾套可用到OD.: 8.0)

6.3mm body part: solder terminals are all tin-plated
 (6.3mm頭段內焊接端子均為鍍錫)

NO.	DESCRIPTION	MATERIAL	FINISH	Q'TY	DRAWING NO.
4	尾套(BOOT)	PVC	黑色(BLACK)	1	1601020128
3	外殼(SHELL)	ZINC ALLOY	Electro-coating Black(電泳黑)	1	
2	塑管(PLASTIC TUBE)	P.P.		1	
1	6.3mm頭段 (6.3mm BODY PART)		鍍金(GOLD)	1	

DIMENSIONS ARE IN MILLIMETERS		APPROVED	DATE
UNLESS OTHERWISE SPECIFIED TOLERANCES		吳碧珊	2020-09-25
ANGLES = $\pm 5^\circ$		CHECKED	DATE
UP TO 6 = ± 0.2		吳碧珊	2020-09-21
6-40 = ± 0.4		DRAWN	DATE
40-120 = ± 0.6		FILE NO. D:\CAD\SP102\5102010330_	
120-315 = ± 1		SP102-CPA-BK-PG_CA001A3	
ABOVE 315 = ± 1.6		ERP LINK:	5102010330
THIRD_ANGLE	$\oplus \ominus$		
SCALE	2/1		

	日昇電子股份有限公司 SUN RISE EXACT INDUSTRIAL CO.	
	TITLE 6.3mm MONO PHONE PLUG CABLE OD.: 5~8mm, BLACK SHELL	
PART NO.	SP102-CPA-BK-PG	REV. A3