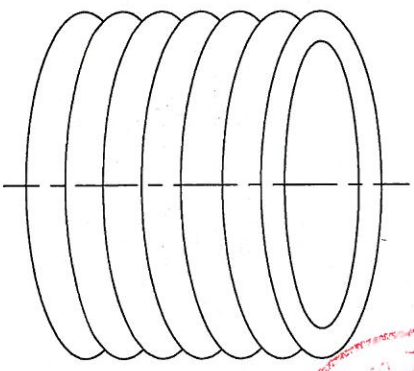
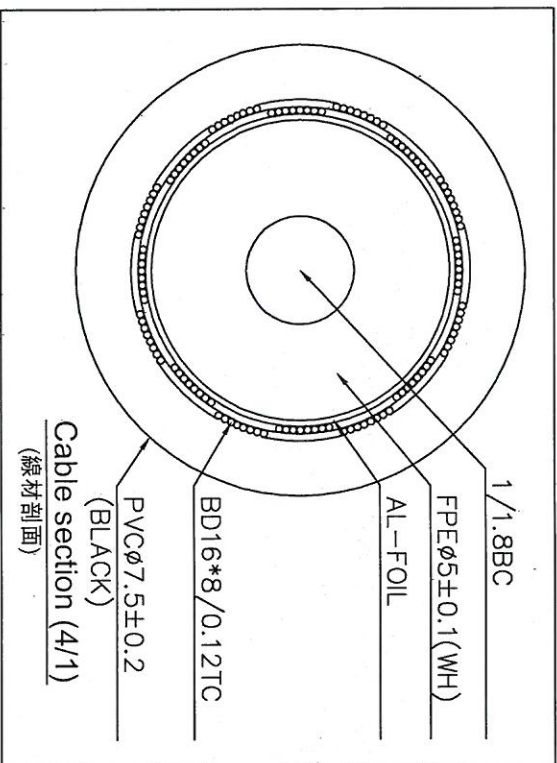


| REVSIONS | |
|----------|----------------------------------|
| ISS | DESCRIPTION \ PER REQUEST \ DATE |
| V | 對客戶公開圖紙 對供應商公開圖紙 |
| | 對供廠商公開圖紙 |
| | 僅限廠內使用 |

Note(備註):
1. Cable printing is inkjet printing.
(線材印字為噴碼印字方式)

SREXACT 5D-FB 50 OHM COAXIAL CABLE XXXM

CABLE NO.: 3071200037-01



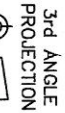
ROLL
(依照訂單下單米數,圖紙不特定標示米數)

| | | | | | | | | |
|----------|-----------|------|---|--------------------------|-------|-----------|------------------------------|------|
| MATERIAL | APPROVED | DATE | 寧波日鼎電子科技有限公司 NINGBO SUN RISE ELECTRIC TECHNOLOGY CO., LTD | 3rd ANGLE PROJECTION | SCALE | TOLERANCE | (同軸線) 5D-FB Coaxial cable | REV. |
| FINISH | CHECKED | DATE | | | UNITS | ANGLES | | |
| | DRAWN | DATE | FILE NO. D:\CAD\線材系列\1604030002-5D-FB Coaxial cable_CA001A1 | | | | | |
| | ERP LINK: | | 1604030002 | | | | A1 | |

許立明

DATE 2020.5.18

胡浩楠 DATE 2019-6-28



SCALE 2/1
UNITS mm

TOLERANCE ANGLES ±0.1 ±5°

PART NO. 5D-FB Coaxial cable

REV. A1