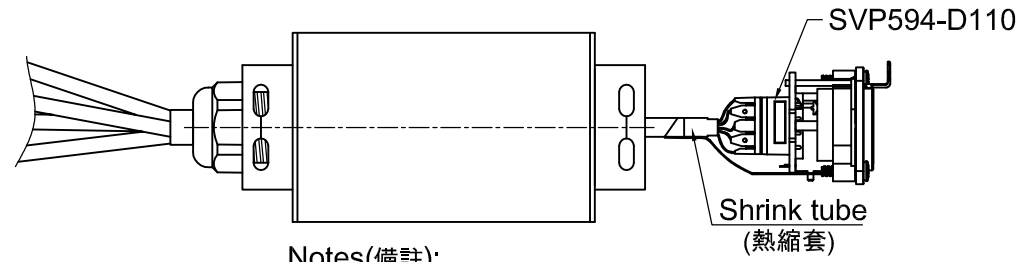
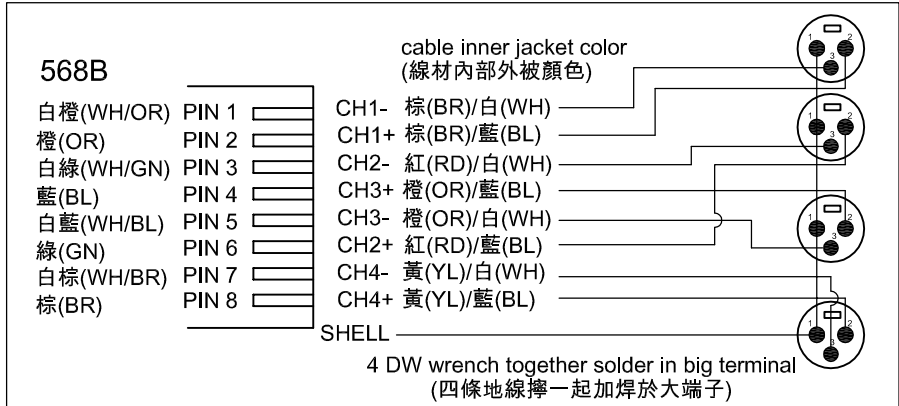
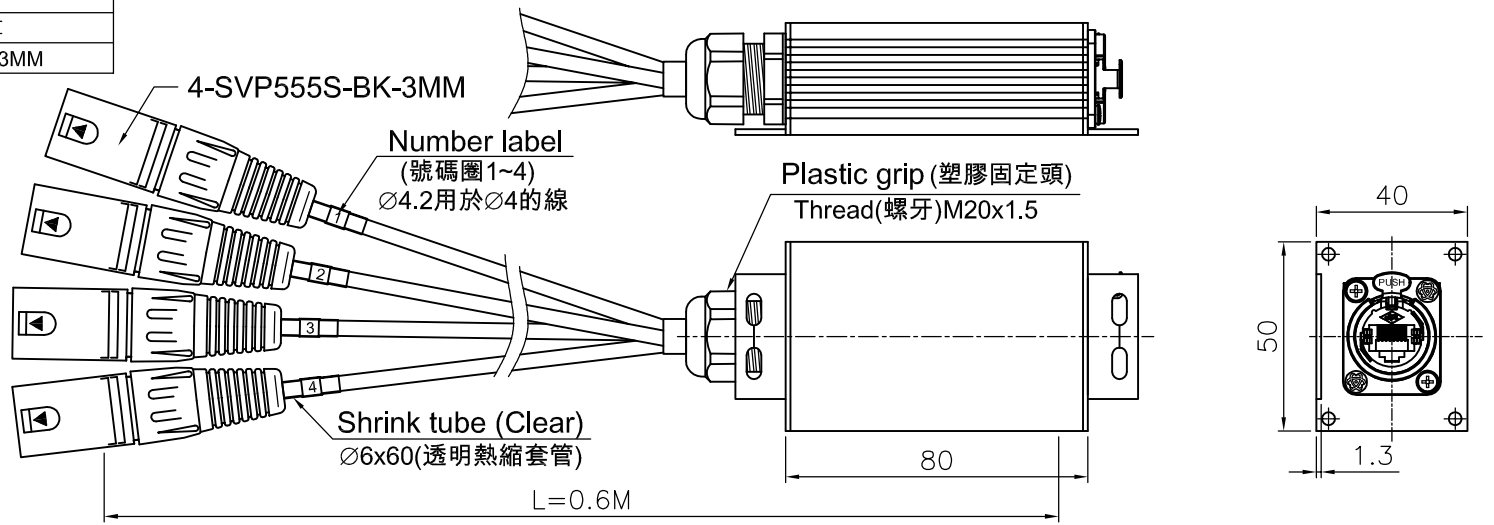
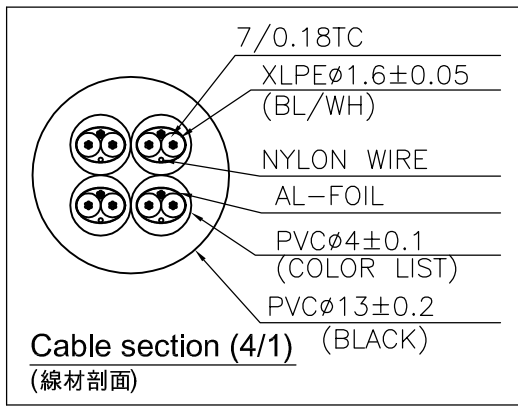


REVISIONS		
ISS	ZONE	DESCRIPTION\PER REQUEST\DATE
A5	C-2	修改針腳定義,備註3,連接器SVP555S-BK-3MM
V	OPEN	對客戶公開圖紙
	OPEN	對供應商公開圖紙
	CLOSED	僅限廠內使用

台灣日昇電子股份有限公司  
**ISSUE APPROVED**  
 發行核可  
本文件與審核紙本正本相符



- Notes(備註):
1. Box material: Aluminum alloy 6063-T5 (盒體材料為鋁合金6063-T5)
  2. Surface treatment: Black plastic spraying (表面處理噴黑漆)
  3. The connect way of this product is for AES72-2019 TYPE 1E and recommended to use shielding network cable. (本產品連接方式為AES72-2019 TYPE 1E,並建議使用屏蔽網路線)
- This product requires a pair (male & female) for using.  
 (本產品需公母成對使用)



色彩型號(COLOR LIST)

棕	紅	橙	黃
BR	RD	OR	YL
1	2	3	4

CABLE NO.: 4107010236  
 (3070800096-01)

DIMENSIONS ARE IN MILLIMETERS UNLESS OTHERWISE SPECIFIED TOLERANCES ANGLES = ±5' UP TO 6 = ±0.2 6-40 = ±0.4 40-120 = ±0.6 120-315 = ±1 ABOVE 315 = ±1.6	APPROVED	DATE
	CHECKED	DATE
	DRAWN	DATE
	FILE NO.	D:\CAD\SKC\5210020003_SKC-4MDMX-0.6M_CA001A5
THIRD_ANGLE	ERP LINK:	5210020003
SCALE		1/2

<p>日昇電子股份有限公司 SUN RISE EXACT INDUSTRIAL CO.</p>	TITLE	BOX : 4*SVP555S-BK+SVP594-D110
	PART NO.	SKC-4MDMX-0.6M
	REV.	A5

F  
E  
D  
C  
B  
A

F  
E  
D  
C  
B  
A