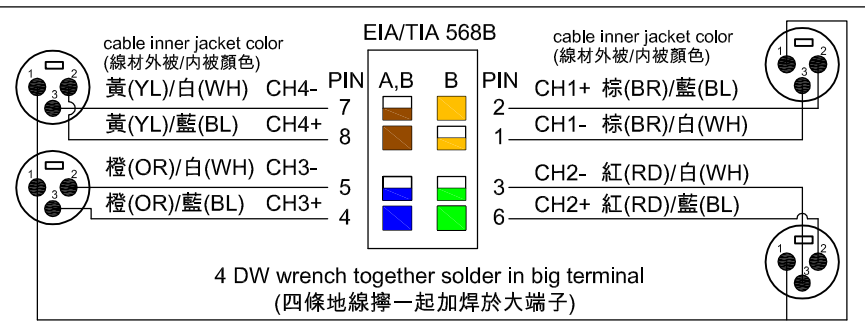
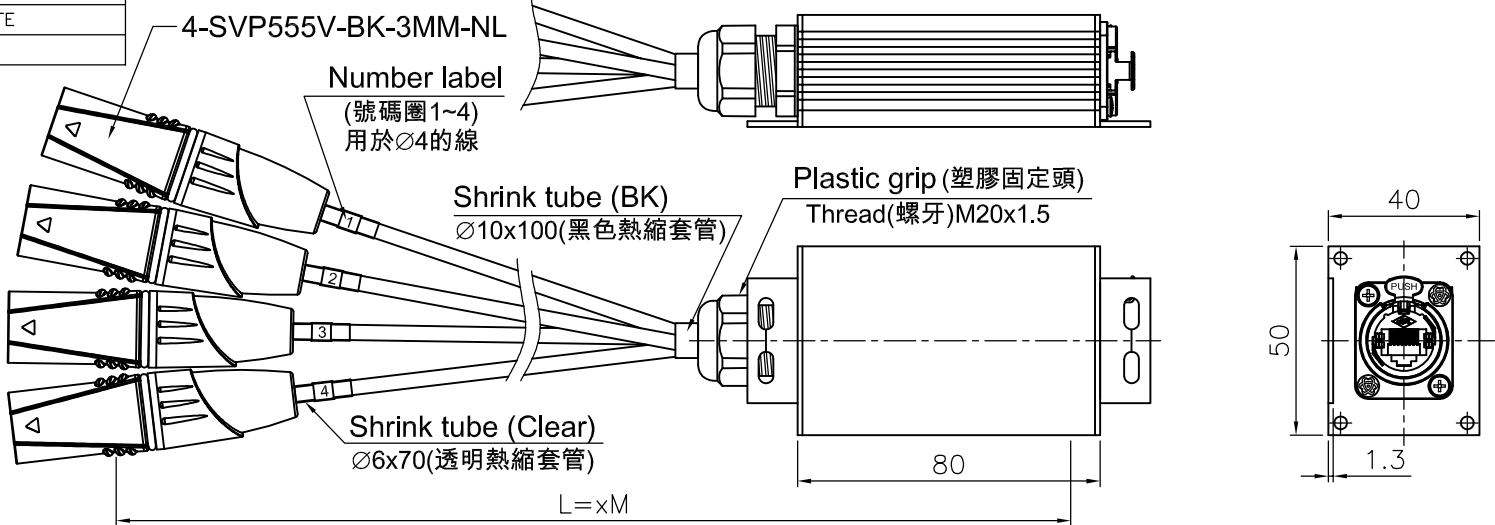
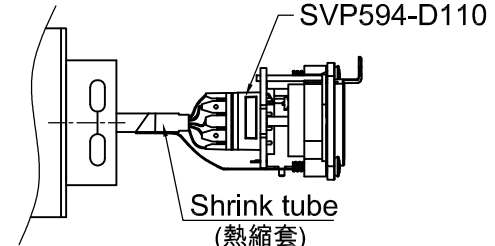


REVISIONS		
ISS	ZONE	DESCRIPTION\PER REQUEST\DATE
V	OPEN	對客戶公開圖紙
	OPEN	對供應商公開圖紙
	CLOSED	僅限廠內使用

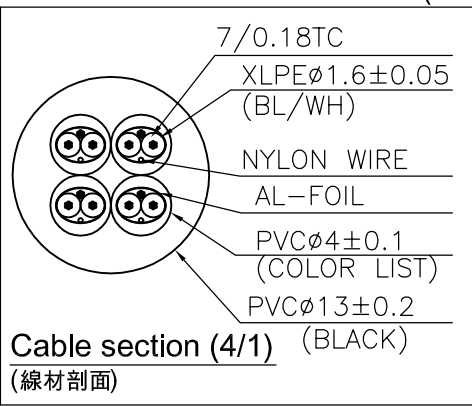
台灣日昇電子股份有限公司
ISSUE APPROVED
 發行核可
本文件與簽核紙本正本相符



- Notes(備註):
- Box material: Aluminum alloy 6063-T5 (盒體材料為鋁合金6063-T5)
 - Surface treatment: Black plastic spraying (表面處理噴黑漆)
 - The connect way of this product is for AES72-2019 TYPE 1E and recommended to use shielding network cable. This product requires a pair (male & female) for using. (本產品連接方式為AES72-2019 TYPE 1E,並建議使用屏蔽網路線)(本產品需公母成對使用)
 - The drawing is based on the standard spec.,pls check "xM" for various length (此圖為標準品繪製,由於長度多種變化不另行標示,產線依照訂單長度製作) 1FT=0.305M, 1inch=0.025M
 - The whole product has no logo, except SVP594-D110 has a and logo. (整體產品為無商標,除了SVP594-D110上有小花和S.R商標)



CABLE NO.: 4107010236 (3070800096-01)



色彩型號(Color list)

棕	紅	橙	黃
BR	RD	OR	YL
1	2	3	4

DIMENSIONS ARE IN MILLIMETERS UNLESS OTHERWISE SPECIFIED TOLERANCES ANGLES = ±5° UP TO 6 = ±0.2 6-40 = ±0.4 40-120 = ±0.6 120-315 = ±1 ABOVE 315 = ±1.6	APPROVED DATE 2024-02-27	日昇電子股份有限公司 SUN RISE EXACT INDUSTRIAL CO.
	CHECKED DATE	
THIRD_ANGLE	DRAWN 吳碧珊 DATE 2024-02-05	PART NO. SKC-4MVBKDMX-0.6M-NL
SCALE 1/2	FILE NO. D:\CAD\SKC\5210020019_SKC-4MVBKDMX-0.6M-NL_CA001A1	REV. A1
	ERP LINK: 5210020019	