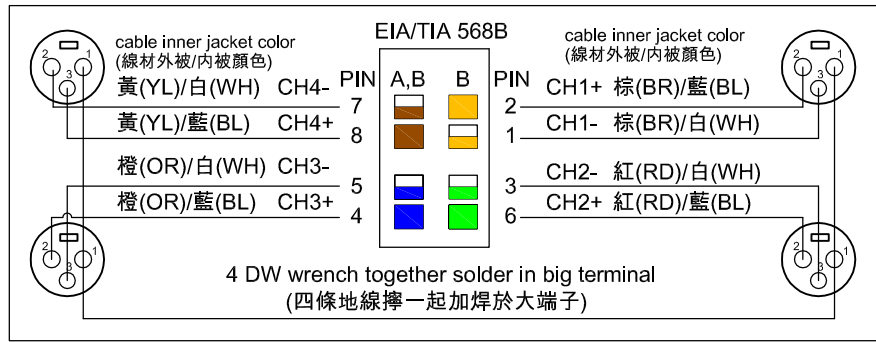
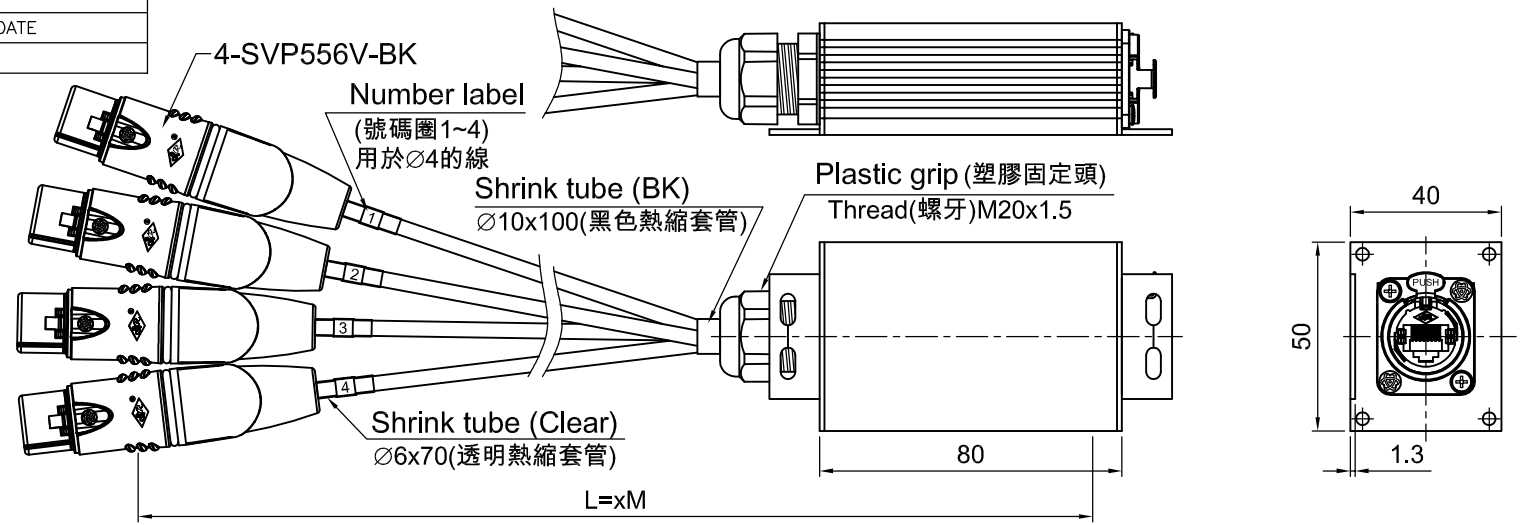


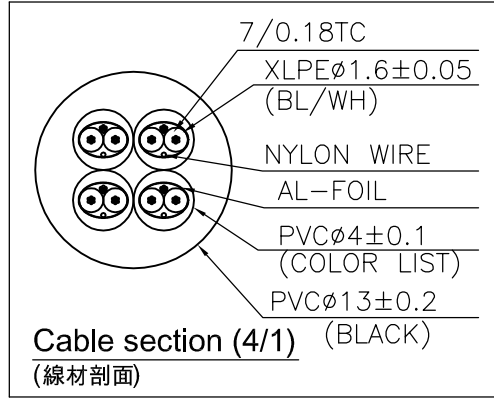
1 2 3 4 5 6 7 8

| REVISIONS | | |
|-----------|--------|------------------------------|
| ISS | ZONE | DESCRIPTION\PER REQUEST\DATE |
| V | OPEN | 對客戶公開圖紙 |
| | OPEN | 對供應商公開圖紙 |
| | CLOSED | 僅限廠內使用 |

台灣日昇電子股份有限公司
ISSUE APPROVED
 發行核可
本文件與審核紙本正本相符



CABLE NO.: 4107010236 (3070800096-01)

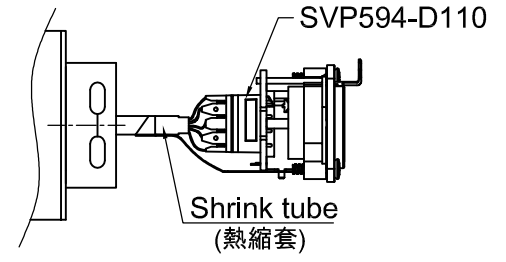


色彩型號(Color list)

| | | | |
|----|----|----|----|
| 棕 | 紅 | 橙 | 黃 |
| BR | RD | OR | YL |
| 1 | 2 | 3 | 4 |

Notes(備註):

- Box material: Aluminum alloy 6063-T5 (盒體材料為鋁合金6063-T5)
- Surface treatment: Black plastic spraying (表面處理噴黑漆)
- The connect way of this product is for AES72-2019 TYPE 1E and recommended to use shielding network cable. This product requires a pair (male &female) for using. (本產品連接方式為AES72-2019 TYPE 1E,並建議使用屏蔽網路線)(本產品需公母成對使用)
- The drawing is based on the standard spec.,pls check "xM" for various length (此圖為標準品繪製,由於長度多種變化不另行標示,產線依照訂單長度製作)
1FT=0.305M, 1inch=0.025M



| | | | |
|---------------------------------------|-----|------------|---------------------------|
| DIMENSIONS ARE IN MILLIMETERS | | APPROVED | DATE |
| UNLESS OTHERWISE SPECIFIED TOLERANCES | | 2025-01-23 | |
| ANGLES = ±5° | | CHECKED | DATE |
| UP TO 6 = ±0.2 | | 2025-01-13 | |
| 6-40 = ±0.4 | | DRAWN | DATE |
| 40-120 = ±0.6 | | 吳碧珊 | 2025-01-13 |
| 120-315 = ±1 | | FILE NO. | D:\CAD\SKC\5210020025_ |
| ABOVE 315 = ±1.6 | | | SKC-4FVBKDMX-0.6M_CA001A1 |
| THIRD_ANGLE | ☉ | ERP LINK: | 5210020025 |
| SCALE | 1/2 | | |

| | |
|---|-------------------|
| 日昇電子股份有限公司 SUN RISE EXACT INDUSTRIAL CO. | |
| TITLE | |
| BOX : 4*SVP556V-BK+SVP594-D110 | |
| PART NO. | SKC-4FVBKDMX-0.6M |
| REV. | A1 |

F

E

D

C

B

A

F

E

D

C

B

A

1 2 3 4 5 6 7 8