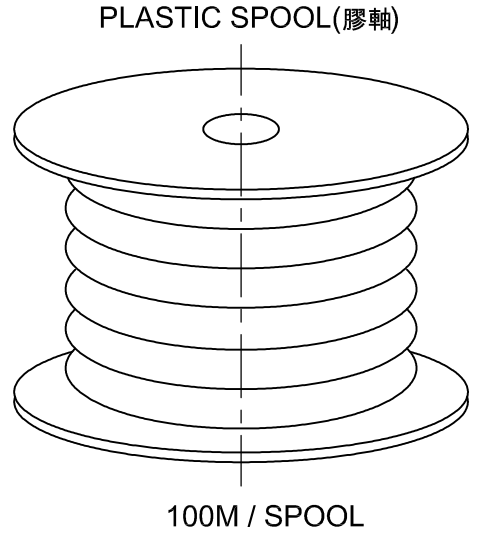
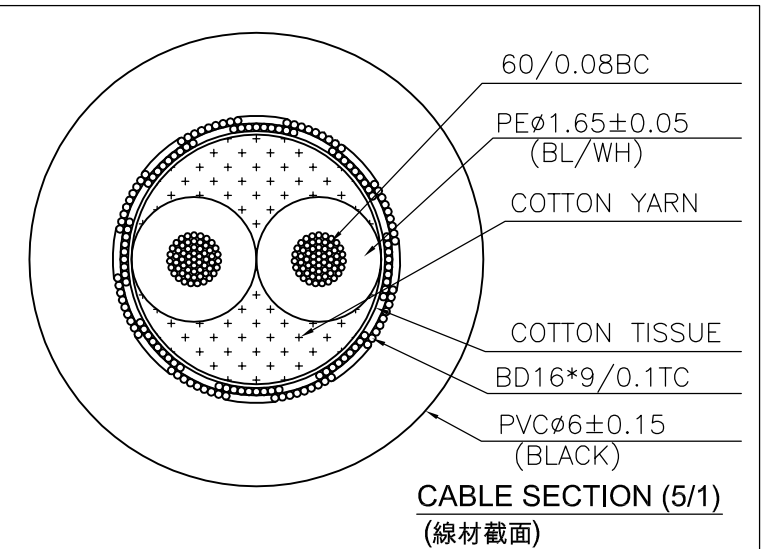


1 2 3 4 5 6 7 8



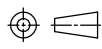
REVISIONS		
ISS	ZONE	DESCRIPTION\PER REQUEST\DATE
V	OPEN	對客戶公開圖紙
	OPEN	對供應商公開圖紙
	CLOSED	僅限廠內使用

台灣日昇電子股份有限公司
ISSUE APPROVED
 發行核可 本文件與簽核紙本正本相符

S-2T2S  **PROFESSIONAL MICROPHONE CABLE**



ERP link (品號)	Cable No. (線材品號)	Cable Color (線材顏色)
5501020571	3070101312-013-100M	Red(紅色)
5501020572	3070101315-013-100M	Green(綠色)
5501020573	3070101316-013-100M	Blue(藍色)

MATERIAL	APPROVED  DATE 2021-09-15	 日昇電子股份有限公司 SUN RISE EXACT INDUSTRIAL CO.	3rd ANGLE PROJECTION 	SCALE	2/1	TOLERANCE	±0.1
	CHECKED DATE			UNITS	mm	ANGLES	±5°
FINISH	DRAWN 吳碧珊 DATE 2021-09-14	PART NO. (雙芯線) 6.0mm two conductors microphone cable	REV.	A1			
	FILE NO. D:\CAD\線材系列\5501020571_6.0mm two conductors microphone cable_CA001A1						
	ERP LINK: 5501020571						

1 2 3 4 5 6 7 8

F
E
D
C
B
A

F
E
D
C
B
A