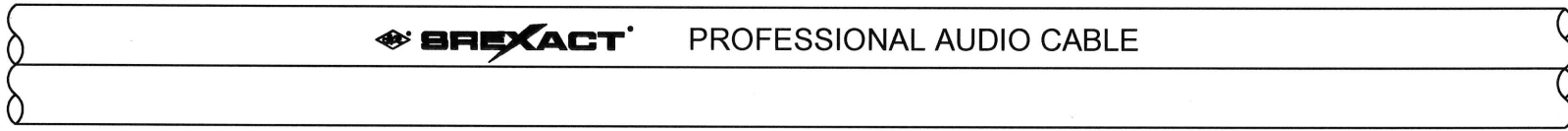


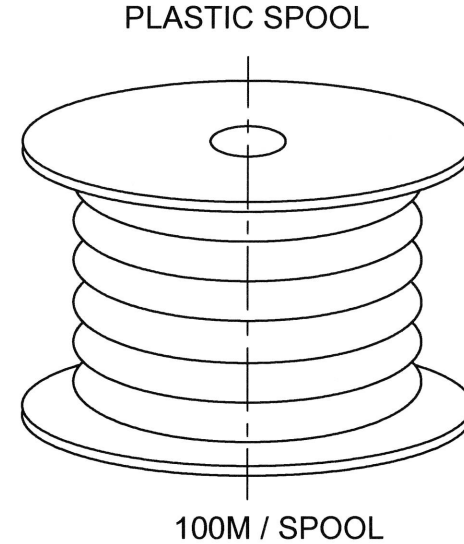
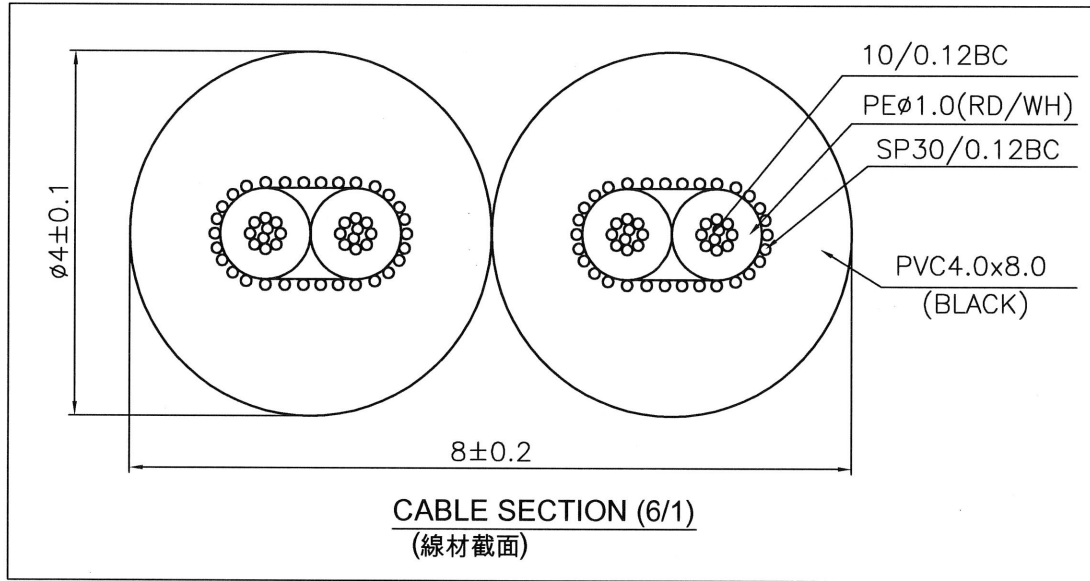
1 2 3 4 5 6 7 8

REVISIONS		
ISS	ZONE	DESCRIPTION\PER REQUEST\DATE
V	OPEN	對客戶公開圖紙
	OPEN	對供應商公開圖紙
	CLOSED	僅限廠內使用

台灣日昇電子股份有限公司
ISSUE APPROVED
 發行核可 本文件與審核紙本正本相符



CABLE NO.: 3070200018-013-100M
 (1070200018)



MATERIAL	APPROVED DATE 2016-12-29	日昇電子股份有限公司 SUN RISE EXACT INDUSTRIAL CO.	3rd ANGLE PROJECTION	SCALE	2/1	TOLERANCE	±0.1
	CHECKED DATE			UNITS	mm	ANGLES	±5°
	DRAWN 吳碧珊 DATE 2016-12-22			PART NO. (雙併線)		REV.	A1
FINISH	FILE NO. D:\CAD\線材系列\5502010030_4x8mm Twin pair microphone cable_CA001A1	4x8mm Twin pair microphone cable					
	ERP LINK: 5502010030						

1 2 3 4 5 6 7 8

F
E
D
C
B
A

F
E
D
C
B
A