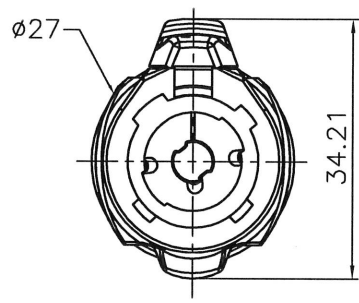
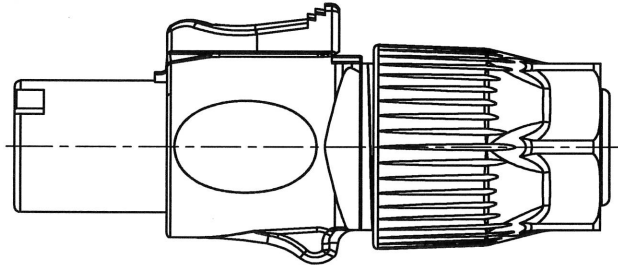
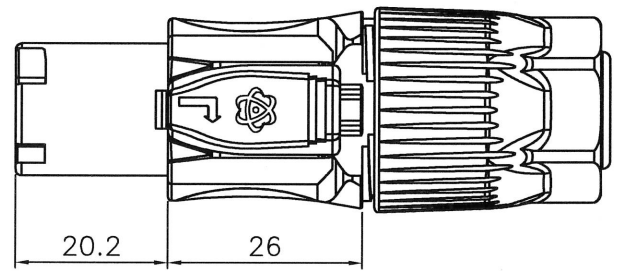
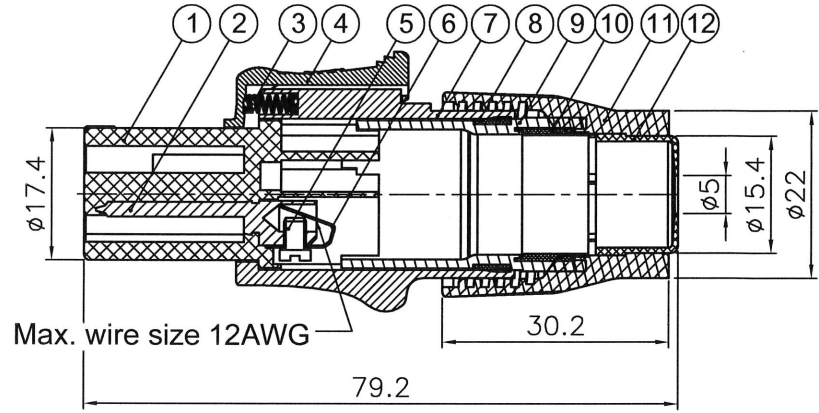


REVISIONS		
ISS	ZONE	DESCRIPTION\PER REQUEST\DATE
A2	B-2	防水圈適用線徑 $\phi 7$ 改為 $\phi 8.5$
V	OPEN	對客戶公開圖紙
	OPEN	對供應商公開圖紙
	CLOSED	僅限廠內使用



台灣日昇電子股份有限公司
ISSUE APPROVED
 發行核可 本文件與簽核紙本正本相符

Note(備註):
 1. No printing on connectors
 (接頭上不要有任何印字)



12	尾套(BOOT)	SILICON	黑色(BLACK)	1	4401130027
11	螺套(CAP)	PA	藍色(BLUE)	1	
10	防水圈(WATERPROOF)	SILICON	兩款規格:線徑 $\phi 12-\phi 15$ 線徑 $\phi 8.5-\phi 11$	1+1	1209100022 4401130021
9	夾線爪(CHUCK)	PA6+(12591)	灰白色(ASH GREY)	1	
8	密封圈(GASKET)	SILICON	$\phi 19 \times L5$ (BK)	1	
7	彈片(SPRING)	H62	鍍錫(TIN)	3	3105010027
6	螺絲(SCREW)	A3	電泳黑 (ELECTOR-COATING BLACK)	3	1406020035
5	塑殼(PLASTIC SHELL)	PA	藍色(BLUE)	1	4401130005
4	按鍵(PUSH BUTTON)	ZZnAL4-1	鍍鎳(NICKEL)	1	3301010102
3	彈簧(SPRING)	70#	$\phi 2.4 \times 9.5$	1	1404010010
2	銅插針(BRASS PIN)	H59-1	鍍銀(SILVER)	3	3102010036
1	本體(BODY)	PA	藍色(BLUE)	1	4301040018
NO.	DESCRIPTION	MATERIAL	FINISH	Q'TY	DRAWING NO.

DIMENSIONS ARE IN MILLIMETERS		APPROVED <i>黃英</i> DATE 2017-03-24
UNLESS OTHERWISE SPECIFIED TOLERANCES		CHECKED DATE
ANGLES = $\pm 5^\circ$		DRAWN 吳碧珊 DATE 2017-03-24
UP TO 6 = ± 0.2		FILE NO. D:\CAD\SVP592\5113180020_
6-40 = ± 0.4		SVP592FA-BL-NL_CA001A2
40-120 = ± 0.6		THIRD_ANGLE <input checked="" type="checkbox"/> <input type="checkbox"/>
120-315 = ± 1		ERP LINK: 5113180020
ABOVE 315 = ± 1.6		SCALE 1/1

SUNRISE 日昇電子股份有限公司
 SUN RISE EXACT INDUSTRIAL CO.

TITLE
3PIN IN LINE FEMALE POWER CONNECTOR FOR INPUT, 20A

PART NO. SVP592FA-BL-NL REV. A2

F
E
D
C
B
A

F
E
D
C
B
A