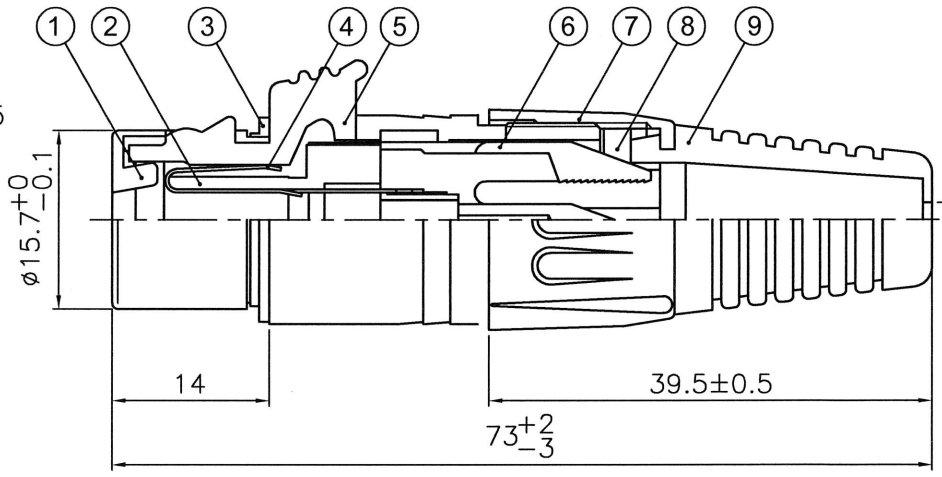
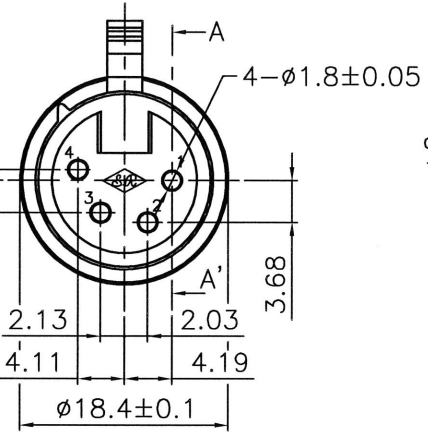


| REVISIONS | | |
|-----------|--------|------------------------------|
| ISS | ZONE | DESCRIPTION\PER REQUEST\DATE |
| V | OPEN | 對客戶公開圖紙 |
| | OPEN | 對供應商公開圖紙 |
| | CLOSED | 僅限廠內使用 |

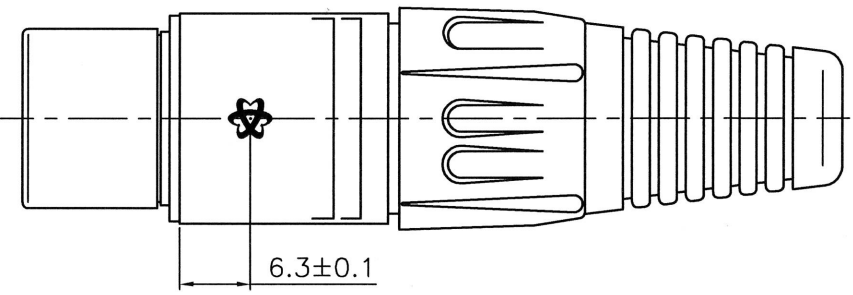
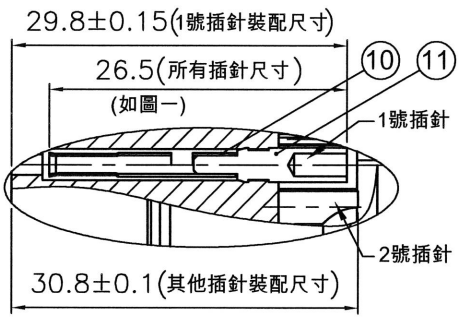
台灣日昇電子股份有限公司
ISSUE APPROVED
 發行核可

本文件與簽核紙本正本相符

| Electrical(電氣性能): | |
|----------------------------|-------------|
| Contact resistance(接觸電阻) | 7mΩ max. |
| Insulator resistance(絕緣電阻) | 5000MΩ min. |
| Current rating(耐電流) | 4P/10A |
| Withstand voltage(耐電壓) | 1500 VAC |



- Notes(備註):
- Sleek in appearance, burr in periphery. (外表光滑,無毛邊)
 - Thread screwed in smoothly. (螺牙旋入順暢)
 - Pin No.1 solder side compare with other pin solder side has less than 1±0.15 (1號插針的焊杯端面比其他插針的焊杯端面低 1±0.15)
 - Insulator with a S.R logo (塑粒上有S.R商標)
 - ★5. Available for OD: 4mm ~ 7.2mm cable. (適用於4mm~7.2mm線徑)



| 11 | 插針(PIN) | H59-1 | 鍍銀(SILVER) | 4 | 3102010037 |
|-----|--------------------|-----------------|------------|------|-------------|
| 10 | 插孔(FEMALE PIN) | PHOSPHOR BRONZE | 鍍銀(SILVER) | 4 | 3102020016 |
| 9 | 尾套(BOOT) | PVC | 黑色(BLACK) | 1 | 4301050024 |
| 8 | T型圈(T-RING) | POM | 白色(WHITE) | 1 | |
| 7 | 螺套(CAP) | ZZnAL4-0 | 鍍鎳(NICKEL) | 1 | 4301070001 |
| 6 | 夾線爪(CHUCK) | POM | 白色(WHITE) | 1 | |
| 5 | 按鍵(PUSH BUTTON) | ZZnAL4-0 | 鍍鎳(NICKEL) | 1 | 3301010089 |
| 4 | 鋼片(LATCH) | STAINLESS STEEL | 鍍錫(TIN) | 1 | 3105010002 |
| 3 | 密封圈(SEAL) | RUBBER | 黑色(BLACK) | 1 | 1208010003 |
| 2 | 塑粒(INSULATOR) | PA | 黑色(BLACK) | 1 | 4301010026 |
| 1 | 鋅殼(DIE-CAST SHELL) | ZZnAL4-0 | 鍍鎳(NICKEL) | 1 | 3103040057 |
| NO. | DESCRIPTION | MATERIAL | FINISH | Q'TY | DRAWING NO. |

A-A' SECTION (A-A' 剖面)

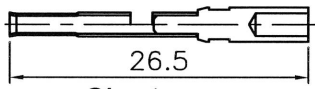


Chart one (圖一)

| | | | |
|---------------------------------------|-----------|--|------------|
| DIMENSIONS ARE IN MILLIMETERS | APPROVED | DATE | 2016-12-01 |
| UNLESS OTHERWISE SPECIFIED TOLERANCES | CHECKED | DATE | |
| ANGLES = ±5° | DRAWN | DATE | 2016-11-28 |
| UP TO 6 = ±0.2 | FILE NO. | D:\CAD\ISVP556S\112010453_SVP556S-M-3-4P_CA001A1 | |
| 6-40 = ±0.4 | ERP LINK: | 5112010453 | |
| 40-120 = ±0.6 | | | |
| 120-315 = ±1 | | | |
| ABOVE 315 = ±1.6 | | | |
| THIRD_ANGLE | | | |
| SCALE | 1.5/1 | | |

| | | |
|----------|--|---------|
| | 日昇電子股份有限公司 SUN RISE EXACT INDUSTRIAL CO. | |
| | TITLE 4PIN XLR FEMALE MIC CONNECTOR, WITH METAL CAP | |
| PART NO. | SVP556S-M-3-4P | REV. A1 |