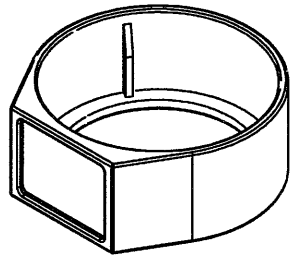
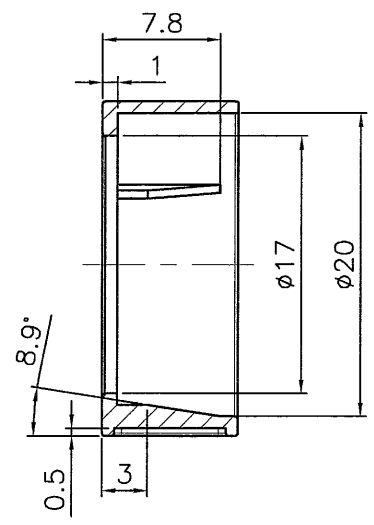
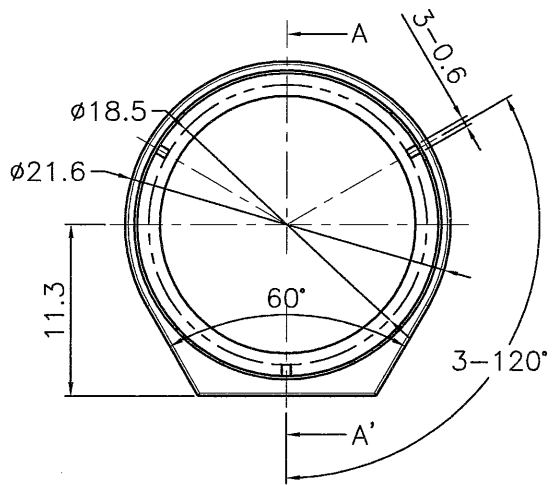


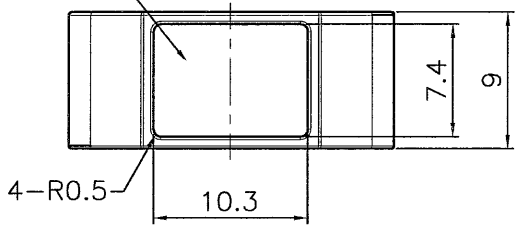
REVISIONS		
ISS	ZONE	DESCRIPTION\PER REQUEST\DATE

V	OPEN	對客戶公開圖紙
	OPEN	對供應商公開圖紙
	CLOSED	僅限廠內使用

台灣日昇電子股份有限公司
ISSUE APPROVED
 發行核可 本文件與審核紙正本相符



this side concavity 0.5mm
 (此面凹0.5mm)



XLR Color ring part no.(XLR戒指環顏色品號):		
Color(顏色)	Part No.(品名)	ERP link(品號)
Black(黑色)	1CE0034-BK	4301120004
Red(紅色)	1CE0034-RD	4301120006
Green(綠色)	1CE0034-GN	4301120007
Blue(藍色)	1CE0034-BL	4301120008
Yellow(黃色)	1CE0034-YL	4301120009
White(白色)	1CE0034-WH	4301120010
Gray(灰色)	1CE0034-GY	4301120011
Purple(紫色)	1CE0034-PL	4301120012

MATERIAL	PA	APPROVED <i>吳碧珊</i> DATE 2014-07-28	日昇電子股份有限公司 SUN RISE EXACT INDUSTRIAL CO.	3rd ANGLE PROJECTION	SCALE	2/1	TOLERANCE	±0.1
	FINISH	CHECKED DATE 2014-07-28			UNITS	mm	ANGLES	±5°
		DRAWN 吳碧珊 DATE 2014-07-18			PART NO.		1CE0034 XLR 戒指環	
		FILE NO. D:\CAD\其他系列\XLR Color ring part no._1CE0034 XLR戒指環_CAD01A1			REV.	A1		
		ERP LINK: XLR Color ring part no.						