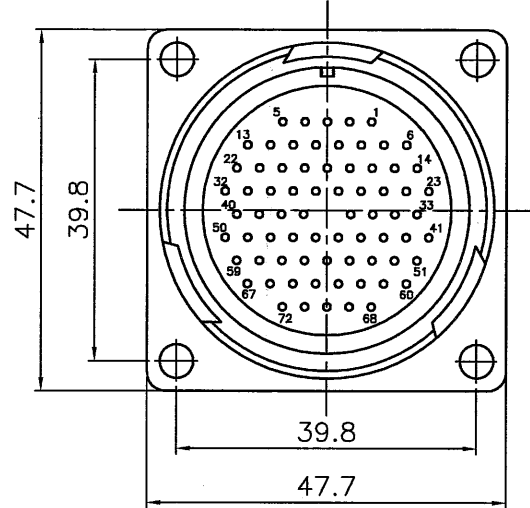
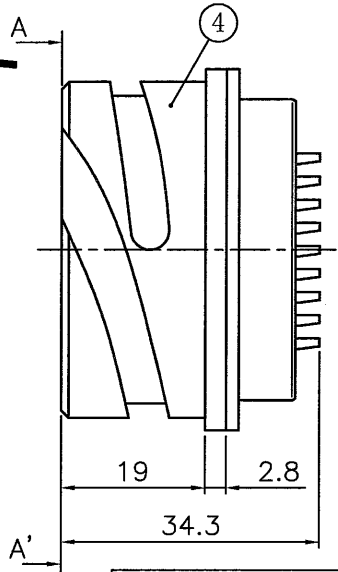
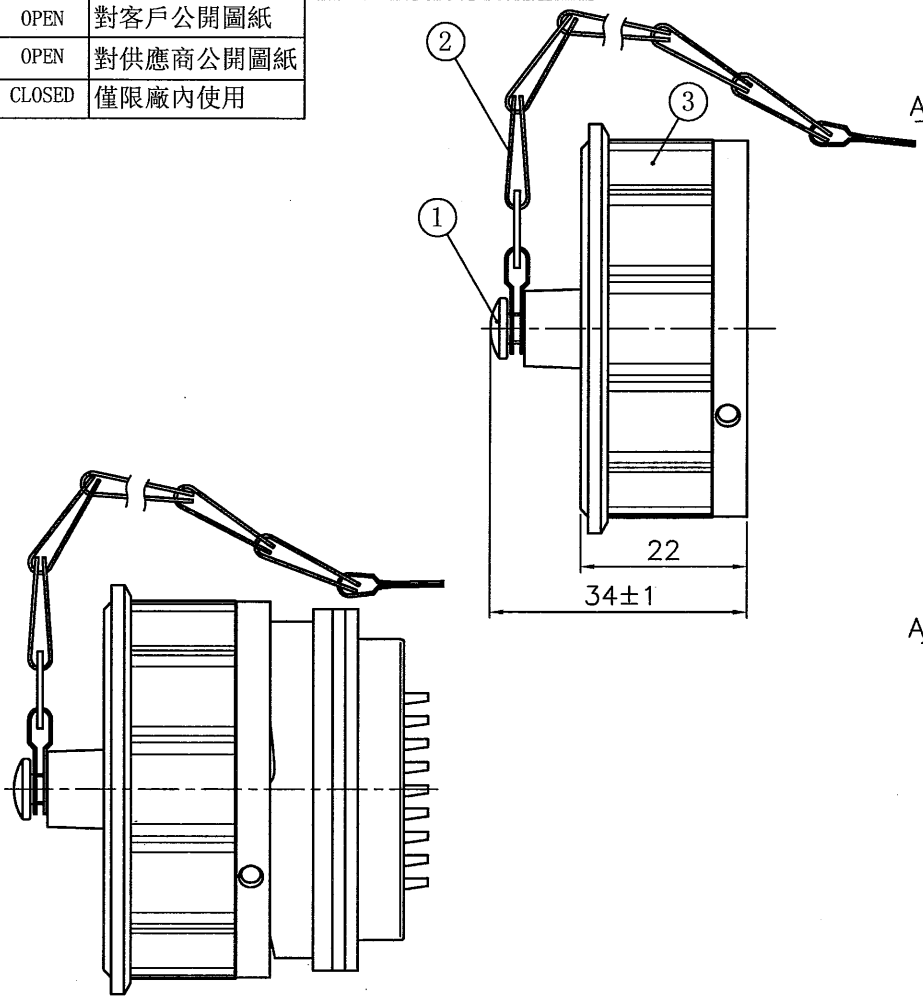


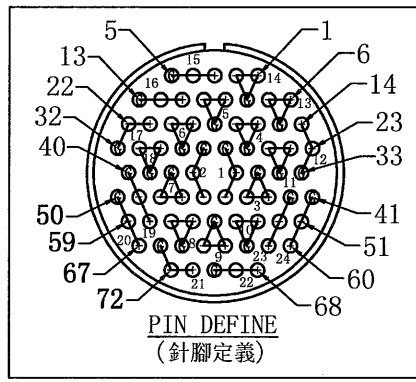
REVISIONS		
ISS	ZONE	DESCRIPTION\PER REQUEST\DATE
V	OPEN	對客戶公開圖紙
	OPEN	對供應商公開圖紙
	CLOSED	僅限廠內使用

台灣日昇電子股份有限公司  
**ISSUE APPROVED**  
 發行核可  
本文件與圖樣  
紙本正本相符

F  
E  
D  
C  
B  
A



A-A' DETAIL  
(A-A' 詳圖)




接線方式			
TRS	S 接地	T 珠頭	R 中端子
XLR	1 接地	2 紅	3 白
PQ	Ⓞ	⊕	⊖

NO.	DESCRIPTION	MATERIAL	FINISH	Q'TY	DRAWING NO.
4	SVP-PQ40/72MM		電泳黑 (ELECTRO-COATING BLACK)	1	1601140191
3	SVP-PQ40C-M		電泳黑 (ELECTRO-COATING BLACK)	1	1601140200
2	鏈條 (CHAIN)		電泳黑 (ELECTRO-COATING BLACK)	1	1405030001
1	螺絲 M4*8 (SCREW)		電泳黑 (ELECTRO-COATING BLACK)	1	1406020024

DIMENSIONS ARE IN MILLIMETERS  
 UNLESS OTHERWISE SPECIFIED  
 TOLERANCES  
 ANGLES = ±5°  
 UP TO 6 = ±0.2  
 6-40 = ±0.4  
 40-120 = ±0.6  
 120-315 = ±1  
 ABOVE 315 = ±1.6

THIRD\_ANGLE    
 SCALE 1/1

APPROVED *黃英* DATE 2012-07-30  
 CHECKED DATE 2012-07-30  
 DRAWN *吳志* DATE 2012-07-30  
 FILE NO. D:\CAD\SVP\  
 5114060085\_SVP-PQ40/72MM\_CA001A1  
 ERP LINK: 5114060085

 日昇電子股份有限公司  
 SUN RISE EXACT INDUSTRIAL CO.

TITLE SQUARE RECEPTACLE MALE PB40-72ZJ

PART NO. SVP-PQ40/72MM REV. A1

F  
E  
D  
C  
B  
A

A