
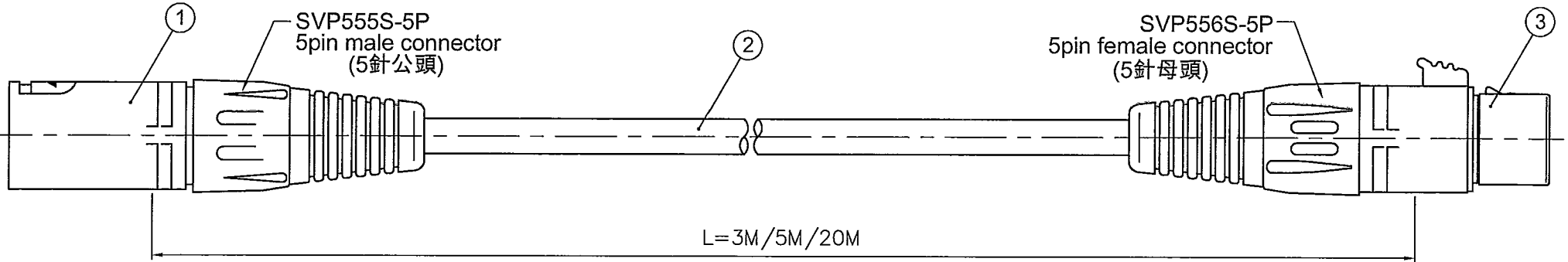
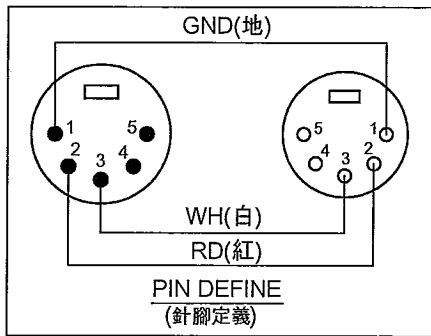
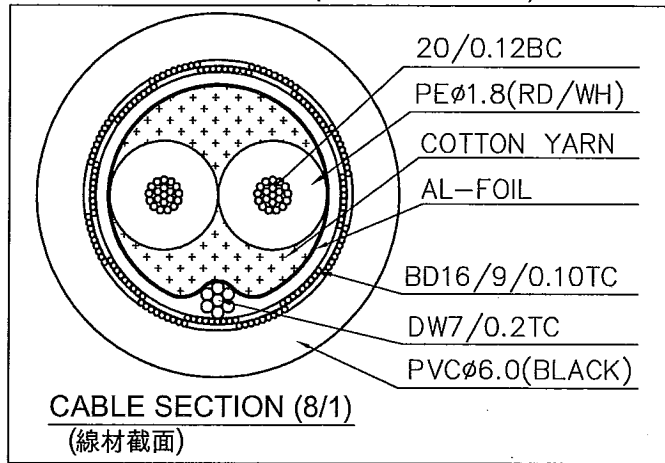


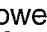
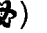


1			2			3			4			5			6			7			8		
REVISIONS																							
ISS	ZONE	DESCRIPTION\PER REQUEST\DATE																					
V	OPEN	對客戶公開圖紙																					
	OPEN	對供應商公開圖紙																					
	CLOSED	僅限廠內使用																					
DMX-512  PROFESSIONAL LIGHT CONTROL DOUBLE SHIELDED CABLE																							



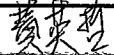
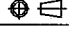
CABLE NO.: 4101020131
(3070100111-01)




Notes(備註):

1. Housing with a flower logo 
(鋅殼上有花型商標 )
2. Insulator with a S.R logo 
(塑料上有SR商標 )

台灣日昇電子股份有限公司
ISSUE APPROVED
發行核可 本文件與簽核
紙本正本相符

DIMENSIONS ARE IN MILLIMETERS		APPROVED 	DATE
UNLESS OTHERWISE SPECIFIED TOLERANCES		CHECKED	DATE
ANGLES = ±5°		DRAWN 吳碧珊	DATE
UP TO 6 = ±0.2		FILE NO. D:\CAD\SVC\5227010296\97\98	
6-40 = ±0.4		SVC687S-5P3C-111-3M/5M/20M_CA001A1	
40-120 = ±0.6		ERP LINK: 5227010296/97/98	
120-315 = ±1			
ABOVE 315 = ±1.6			
THIRD_ANGLE			
SCALE	1/1		

		日昇電子股份有限公司 SUN RISE EXACT INDUSTRIAL CO.	
TITLE		SVP555S-5P + 3070100111 + SVP556S-5P CABLE ASSEMBLY (L=3M/5M/20M)	
PART NO.	SVC687S-5P3C-111-3M/5M/20M	REV.	A1

3	XLR FEMALE CONNECTOR		鍍鎳(NICKEL)	1	SVP556S-5P
2	CABLE		黑色(BLACK)	1	3070100111-01
1	XLR MALE CONNECTOR		鍍鎳(NICKEL)	1	SVP555S-5P
NO.	DESCRIPTION	MATERIAL	FINISH	Q'TY	DRAWING NO.

1 2 3 4 5 6 7 8