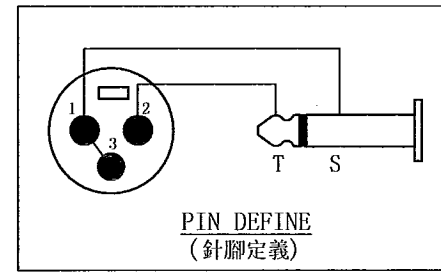
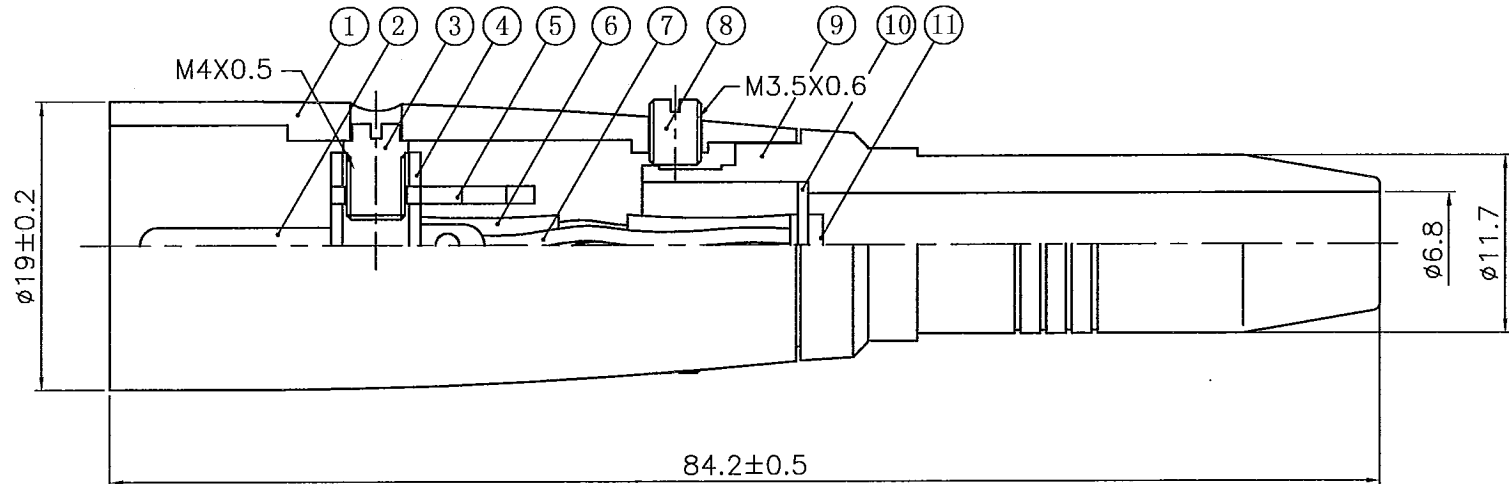


REVISIONS		
ISS	ZONE	DESCRIPTION\PER REQUEST\DATE
A2	ALL	更新圖紙
V	OPEN	對客戶公開圖紙
	OPEN	對供應商公開圖紙
	CLOSED	僅限廠內使用

台灣日昇電子股份有限公司
ISSUE APPROED
 發行核可 本文件與簽核
 版本正本相符



11	端子 (TERMINAL)	H62		2	
10	電木板 (BAKELITE)			1	
9	鋅殼 (DIE-CAST SHELL)	ZZnAL4-1	鍍鎳 (NICKEL)	1	
8	螺絲 (SCREW)	H59-1	鍍鎳 (NICKEL)	2	
7	導線 (WIRE)			3	
6	塑套 (PLASTIC TUBE)			5	
5	端子 (TERMINAL)	H62	鍍鎳 (NICKEL)	1	
4	塑料 (INSULATOR)	PBT	黑色 (BLACK)	1	
3	螺絲 (SCREW)	H59-1	鍍鎳 (NICKEL)	1	
2	插針 (PIN)	H59-1	鍍銀 (SILVER)	3	
1	鋅殼 (DIE-CAST SHELL)	ZZnAL4-1	鍍鎳 (NICKEL)	1	
NO.	DESCRIPTION	MATERIAL	FINISH	Q'TY	DRAWING NO.

DIMENSIONS ARE IN MILLIMETERS
 UNLESS OTHERWISE SPECIFIED
 TOLERANCES
 ANGLES = ±5°
 UP TO 6 = ±0.2
 6-40 = ±0.4
 40-120 = ±0.6
 120-315 = ±1
 ABOVE 315 = ±1.6

THIRD_ANGLE

SCALE 2/1

APPROVED DATE 2012-06-01
 CHECKED 程美琴 DATE 2012-06-01
 DRAWN DATE 2012-06-01
 FILE NO. D:\CAD\SVP57 系列\
 5113080009_SVP574-1_CA001A2

ERP LINK: 5113080009

日昇電子股份有限公司
 SUN RISE EXACT INDUSTRIAL CO.

TITLE XLR MALE TO 6.3mm MONO JACK ADAPTOR

PART NO. SVP574-1 REV. A2