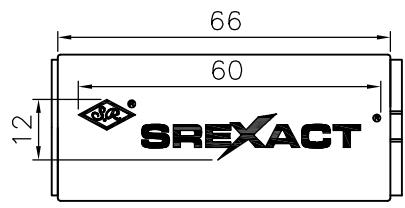
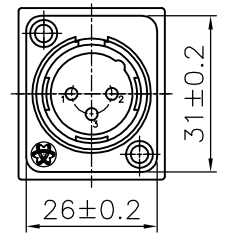
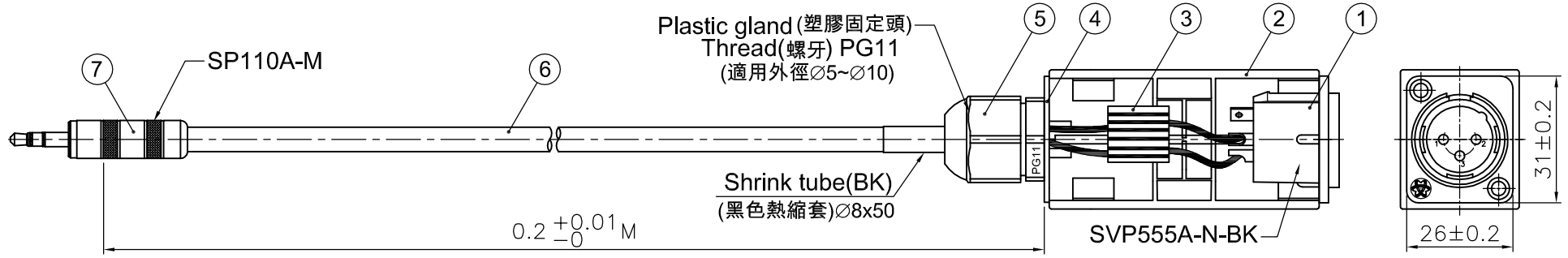


REVISIONS		
ISS	ZONE	DESCRIPTION\PER REQUEST\DATE
A2	A-7	品名SVP582改為SVP582P-DI
V	OPEN	對客戶公開圖紙
	OPEN	對供應商公開圖紙
	CLOSED	僅限廠內使用

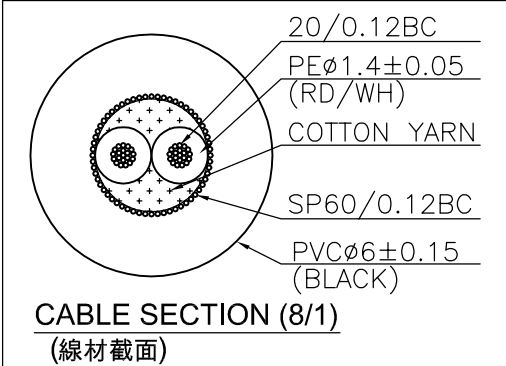


Top cover printing
(上蓋印字圖示)

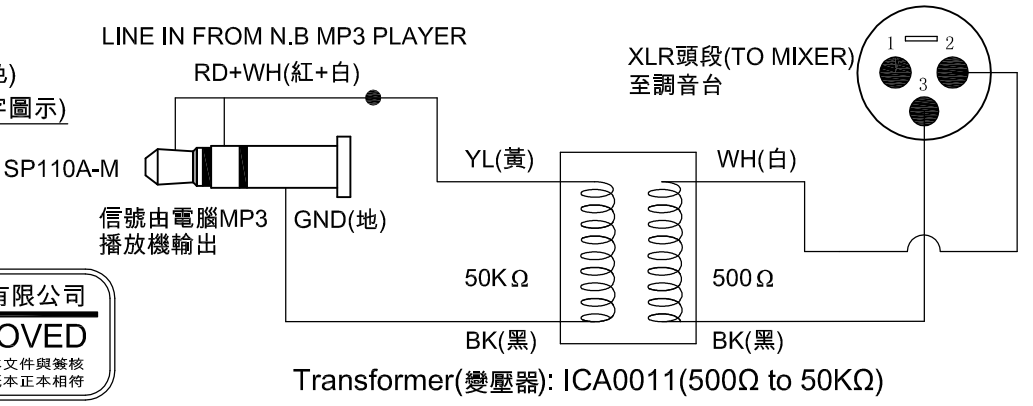


Bottom cover printing
(下蓋印字圖示)

CABLE NO.: 4101020013
(3070100012-01)



Note(備註):
1. The cover of both side are with SREXACT logo
(上下蓋均有SREXACT印字)
logo: **SREXACT**
Text: INK / White(油墨印字/白色)
印字方向與尺寸須與圖紙相同(印字圖示)



台灣日昇電子股份有限公司
ISSUE APPROVED
發行核可
本文件與審核紙本正本相符

7	3.5mm STEREO PLUG		鍍鎳(NICKEL)	1	1601070006
6	CABLE		黑色(BLACK)	1	4101020013
5	塑膠固定頭 (PLASTIC GLAND)	PA66	黑色(BLACK)	1	1209100049
4	金屬面板(PANEL) T=1.6mm	IRON	噴塑黑(Powder coated black)	1	1407010100
3	變壓器4C(500 to 50KΩ) (Transformer)			1	1305010002
2	上/下蓋 (TOP/BOTTOM COVER)	PA66	黑色(BLACK)	2	4301040038
1	XLR MALE MOUNT CONNECTOR		電泳黑(Electro-coating black)	1	4401110006
NO.	DESCRIPTION	MATERIAL	FINISH	Q'TY	DRAWING NO.

DIMENSIONS ARE IN MILLIMETERS		APPROVED	DATE
UNLESS OTHERWISE SPECIFIED TOLERANCES		吳碧珊	2019-02-25
ANGLES = ±5°	UP TO 6 = ±0.2	CHECKED	DATE
6-40 = ±0.4	40-120 = ±0.6	吳碧珊	2019-02-15
120-315 = ±1	ABOVE 315 = ±1.6	DRAWN	DATE
THIRD_ANGLE		FILE NO. D:\CAD\SVP其他系列2\5107030013_	
SCALE	1/1.5	SVP582P-DLCA001A2	
ERP LINK:		5107030013	

		日昇電子股份有限公司 SUN RISE EXACT INDUSTRIAL CO.	
TITLE MINI PHONE PLUG DIRECT BOX WITH 500Ω / 50KΩ ISOLATION TRANSFORMER			
PART NO.		SVP582P-DI	REV. A2