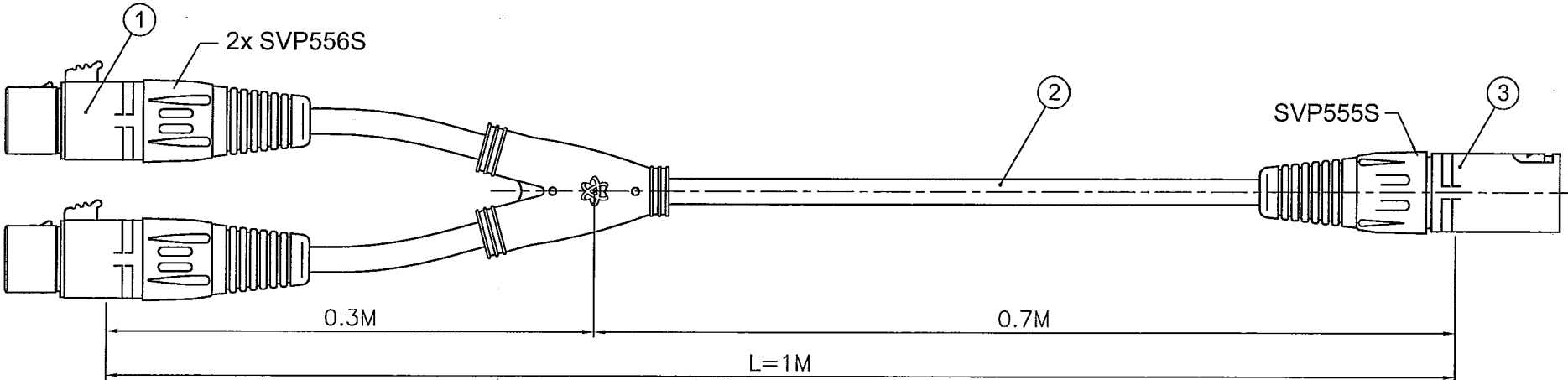


1 2 3 4 5 6 7 8

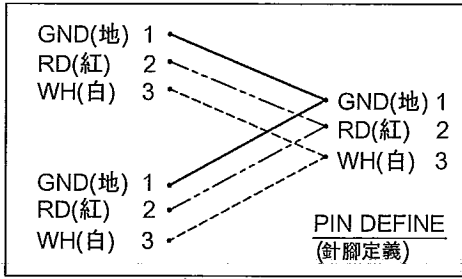
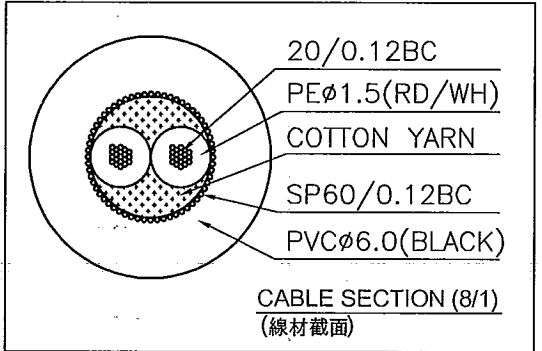
REVISIONS		
ISS	ZONE	DESCRIPTION\PER REQUEST\DATE
A2	D-4	變更分段長度標示(單條0.7M,分岔0.3M)
V	OPEN	對客戶公開圖紙
	OPEN	對供應商公開圖紙
	CLOSED	僅限廠內使用

台灣日昇電子股份有限公司
ISSUE APPROVED
 發行核可 本文件與審核紙正本相符

EMFACT PROFESSIONAL LOW NOISE MICROPHONE CABLE



CABLE NO.:4101020013
 (3070100012-01)



DIMENSIONS ARE IN MILLIMETERS
 UNLESS OTHERWISE SPECIFIED TOLERANCES

ANGLES	= ±5°
UP TO 6	= ±0.2
6-40	= ±0.4
40-120	= ±0.6
120-315	= ±1
ABOVE 315	= ±1.6

THIRD_ANGLE

SCALE 1/1.5

APPROVED	DATE 2015-02-02
CHECKED	DATE 2015-02-02
DRAWN 吳碧珊	DATE 2015-02-02
FILE NO. D:\CAD\DISC1 5223020157_SC7102S-1M_CA001A1	
ERP LINK: 5223020157	

日昇電子股份有限公司
 SUN RISE EXACT INDUSTRIAL CO.

TITLE
**XLR MALE TO 2x XLR FEMALE BALANCE MONO
 Y TYPE CABLE ASSEMBLY (L=1M)**

PART NO. SC7102S-1M REV. A2

NO.	DESCRIPTION	MATERIAL	FINISH	Q'TY	DRAWING NO.
3	XLR MALE		鍍鎳(NICKEL)	1	SVP555S
2	CABLE		黑色(BLACK)	1	3070100012-01
1	XLR FEMALE		鍍鎳(NICKEL)	2	SVP556S

1 2 3 4 5 6 7 8