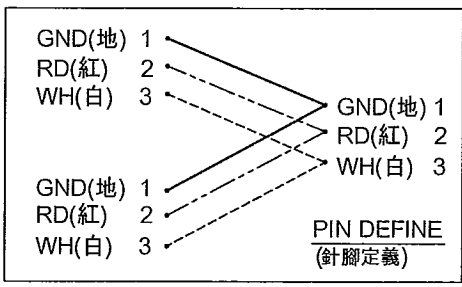
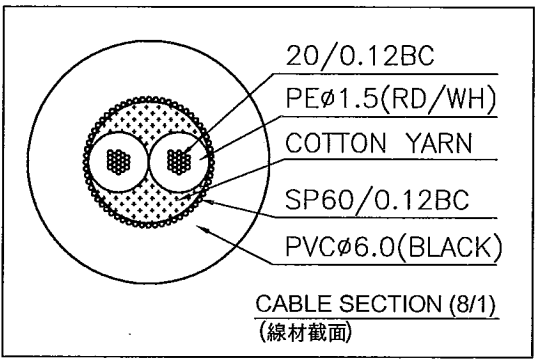


台灣日昇電子股份有限公司  
**ISSUE APPROVED**  
 發行核可  
本文件與簽核  
紙本正本相符

CABLE NO.:4101020013  
 (3070100012-01)



DIMENSIONS ARE IN MILLIMETERS  
 UNLESS OTHERWISE SPECIFIED  
 TOLERANCES  
 ANGLES = ±5'  
 UP TO 6 = ±0.2  
 6-40 = ±0.4  
 40-120 = ±0.6  
 120-315 = ±1  
 ABOVE 315 = ±1.6

THIRD_ANGLE	
SCALE	1/1.5

APPROVED		DATE	2014-11-28
CHECKED		DATE	2014-11-28
DRAWN	吳碧珊	DATE	2014-11-21
FILE NO.	D:\CAD\SC1 5223020191_SC7102S-1FT_CA001A1		
ERP LINK:	5223020191		

	日昇電子股份有限公司 SUN RISE EXACT INDUSTRIAL CO.	
TITLE XLR MALE TO 2x XLR FEMALE BALANCE MONO Y TYPE CABLE ASSEMBLY (L=1FT)		
PART NO.	SC7102S-1FT	REV. A1

REVISIONS		
ISS	ZONE	DESCRIPTION\PER REQUEST\DATE
V	OPEN	對客戶公開圖紙
	OPEN	對供應商公開圖紙
	CLOSED	僅限廠內使用

NO.	DESCRIPTION	MATERIAL	FINISH	Q'TY	DRAWING NO.
3	XLR MALE		鍍鎳(NICKEL)	1	SVP555S
2	CABLE		黑色(BLACK)	1	3070100012-01
1	XLR FEMALE		鍍鎳(NICKEL)	2	SVP858S