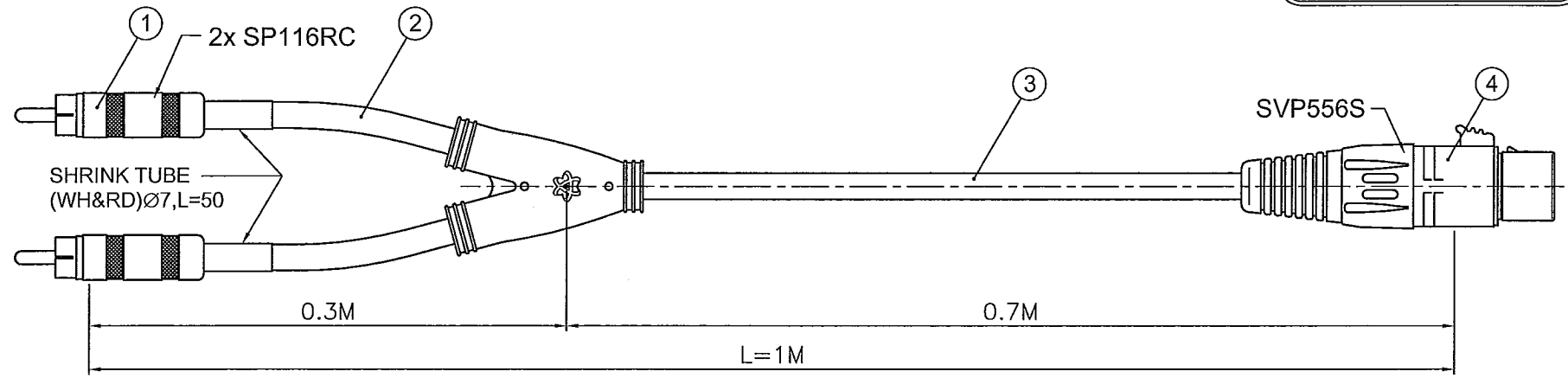
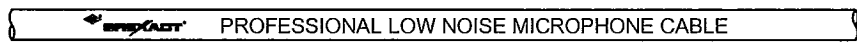
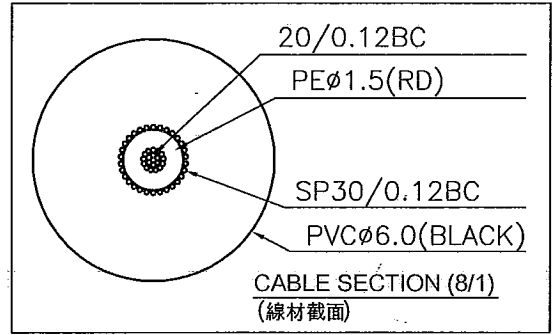


REVISIONS		
ISS	ZONE	DESCRIPTION\PER REQUEST\DATE
A2	D-4	變更分段長度標示(單條0.7M,分岔0.3M)
V	OPEN	對客戶公開圖紙
	OPEN	對供應商公開圖紙
	CLOSED	僅限廠內使用

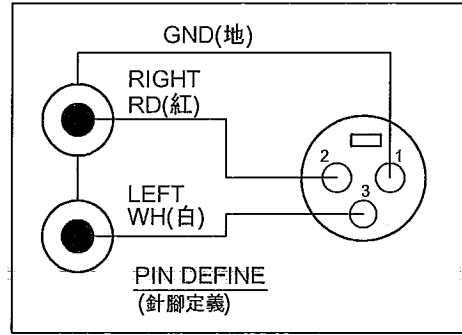
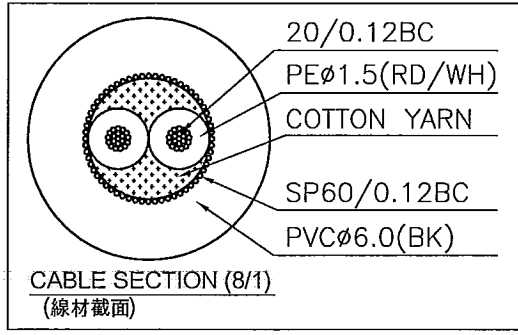
台灣日昇電子股份有限公司
ISSUE APPROVED
 發行核可 本文件與簽核紙本正本相符



CABLE NO.: 4101010028 (for 0.3M)
 (3070100020-01)



CABLE NO.: 4101020013 (for 0.7M)
 (3070100012-01)



NO.	DESCRIPTION	MATERIAL	FINISH	Q'TY	DRAWING NO.
4	XLR FEMALE		鍍鎳(NICKEL)	1	SVP556S
3	CABLE		黑色(BLACK)	1	3070100012-01
2	CABLE		黑色(BLACK)	1	3070100020-01
1	RCA MALE		鍍黑鎳(SHINING NICKEL TIN)	2	SP116RC

DIMENSIONS ARE IN MILLIMETERS
 UNLESS OTHERWISE SPECIFIED TOLERANCES
 ANGLES = ±5'
 UP TO 6 = ±0.2
 6-40 = ±0.4
 40-120 = ±0.6
 120-315 = ±1
 ABOVE 315 = ±1.6

THIRD_ANGLE

SCALE 1/1.5

APPROVED DATE 2015-02-02
 CHECKED DATE 2015-02-02
 DRAWN 吳碧珊 DATE 2015-02-02
 FILE NO. D:\CAD\DISC1
 5223020156_SC7023S-1M_CA001A2
 ERP LINK: 5223020156

日昇電子股份有限公司
 SUN RISE EXACT INDUSTRIAL CO.

TITLE
 XLR FEMALE TO 2x RCA MALE UNBALANCE STEREO Y TYPE CABLE ASSEMBLY (L=1M)

PART NO. SC7023S-1M REV. A2