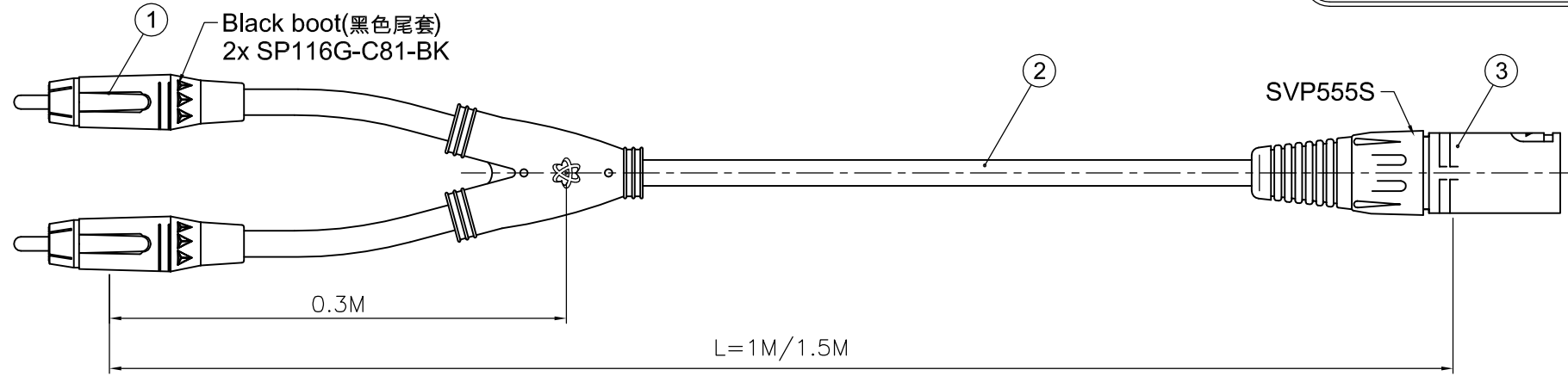
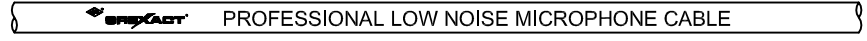
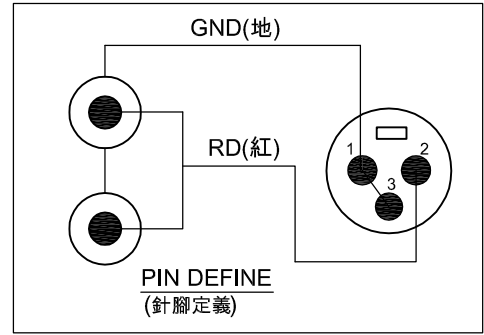
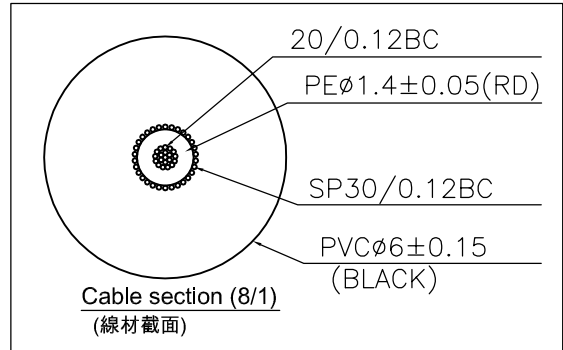


| REVISIONS | | |
|-----------|--------|------------------------------------|
| ISS | ZONE | DESCRIPTION\PER REQUEST\DATE |
| A3 | E-1 | SP116G-C42更換成SP116G-C81-BK; 合併1.5M |
| V | OPEN | 對客戶公開圖紙 |
| | OPEN | 對供應商公開圖紙 |
| | CLOSED | 僅限廠內使用 |

台灣日昇電子股份有限公司
ISSUE APPROVED
 發行核可
本文件與簽核紙本正本相符



CABLE NO.: 4101010028
 (3070100020-01)



| ERP link(品號) | Part No.(品名) |
|--------------|--------------|
| 5223020155 | SC7022-1M |
| 5223020196 | SC7022-1.5M |

| NO. | DESCRIPTION | MATERIAL | FINISH | Q'TY | DRAWING NO. |
|-----|-------------|----------|----------------------------|------|---------------|
| 3 | XLR MALE | | 鍍鎳(NICKEL) | 1 | SVP555S |
| 2 | CABLE | | 黑色(BLACK) | 1 | 3070100020-01 |
| 1 | RCA MALE | | 電泳黑(Electro-coating black) | 2 | SP116G-C81-BK |

| | | | |
|---------------------------------------|-------|--------------------------------|------------|
| DIMENSIONS ARE IN MILLIMETERS | | APPROVED | DATE |
| UNLESS OTHERWISE SPECIFIED TOLERANCES | | 吳碧珊 | 2021-08-03 |
| ANGLES = ±5° | | CHECKED | DATE |
| UP TO 6 = ±0.2 | | 吳碧珊 | 2021-08-03 |
| 6-40 = ±0.4 | | DRAWN | DATE |
| 40-120 = ±0.6 | | FILE NO. D:\CAD\SC\5223020155_ | |
| 120-315 = ±1 | | SC7022-1M_CA001A3 | |
| ABOVE 315 = ±1.6 | | ERP LINK: | 5223020155 |
| THIRD_ANGLE | ⊕ ⊖ | | |
| SCALE | 1/1.5 | | |

| | |
|--|-----------|
| 日昇電子股份有限公司 SUN RISE EXACT INDUSTRIAL CO. | |
| TITLE | |
| XLR MALE TO 2x RCA MALE UNBALANCE MONO Y TYPE CABLE ASSEMBLY (L=1M/1.5M) | |
| PART NO. | SC7022-1M |
| REV. | A3 |