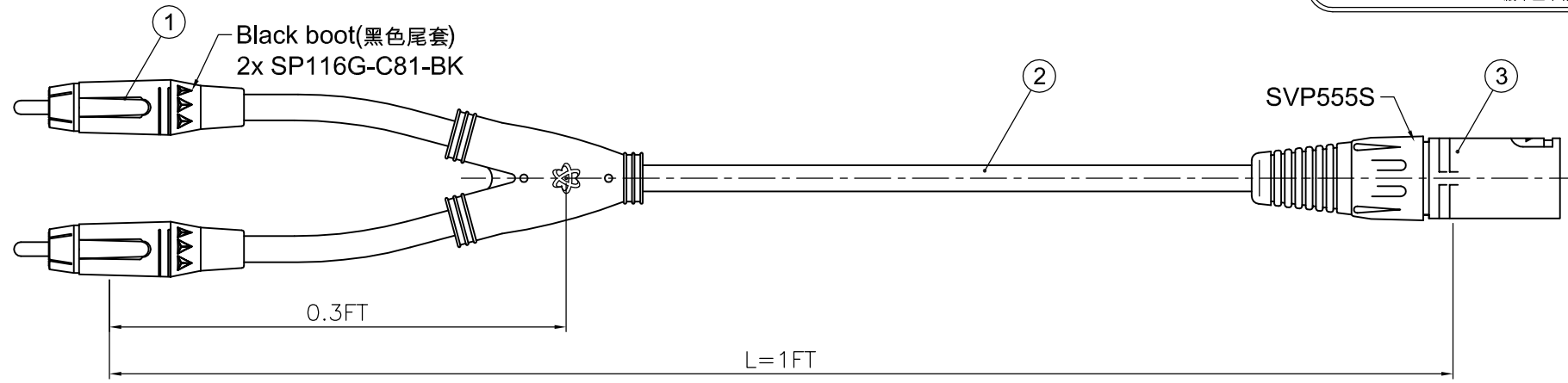
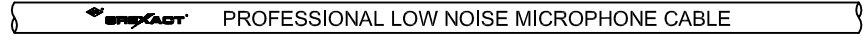
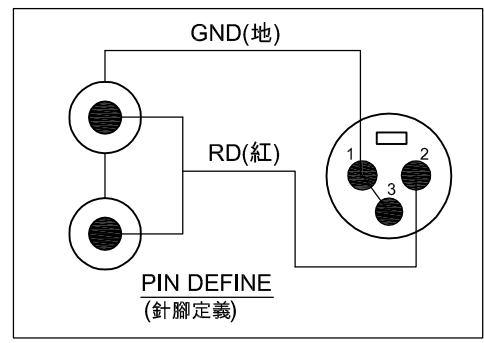
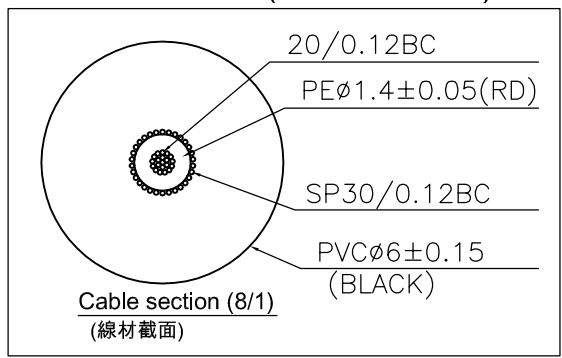


REVISIONS		
ISS	ZONE	DESCRIPTION\PER REQUEST\DATE
A2	E-1	RCA改為SP116G-C81-BK,標註改為0.3FT
V	OPEN	對客戶公開圖紙
	OPEN	對供應商公開圖紙
	CLOSED	僅限廠內使用

台灣日昇電子股份有限公司
ISSUE APPROVED
 發行核可
本文件與簽核紙本正本相符



CABLE NO.: 4101010028
 (3070100020-01)



3	XLR MALE		鍍鎳(NICKEL)	1	SVP555S
2	CABLE		黑色(BLACK)	1	3070100020-01
1	RCA MALE		電泳黑(Electro-coating black)	2	SP116G-C81-BK
NO.	DESCRIPTION	MATERIAL	FINISH	Q'TY	DRAWING NO.

DIMENSIONS ARE IN MILLIMETERS		APPROVED	DATE
UNLESS OTHERWISE SPECIFIED TOLERANCES		吳碧珊	2021-08-03
ANGLES = ±5°		CHECKED	DATE
UP TO 6 = ±0.2			
6-40 = ±0.4		DRAWN	DATE
40-120 = ±0.6		吳碧珊	2021-08-03
120-315 = ±1		FILE NO.	D:\CADI\SC\5223020189_
ABOVE 315 = ±1.6			SC7022-1FT_CA001A2
THIRD_ANGLE	⊕ ⊖	ERP LINK:	5223020189
SCALE	1/1.5		

日昇電子股份有限公司 SUN RISE EXACT INDUSTRIAL CO.	
TITLE	
XLR MALE TO 2x RCA MALE UNBALANCE MONO Y TYPE CABLE ASSEMBLY (L=1FT)	
PART NO.	SC7022-1FT
REV.	A2