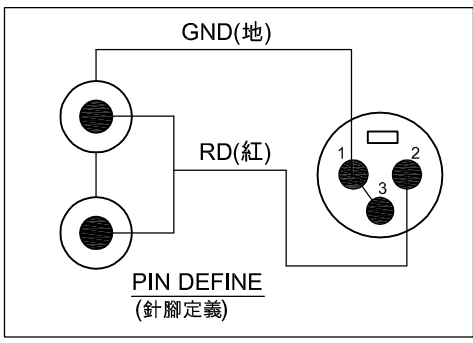
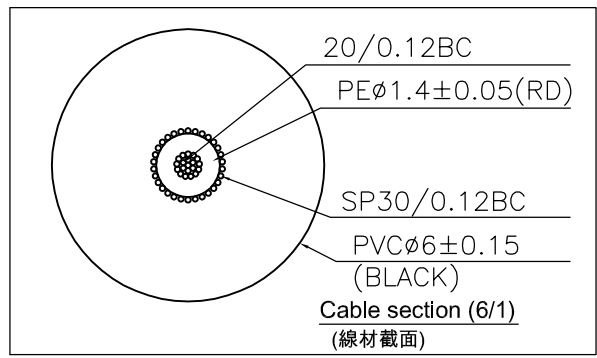
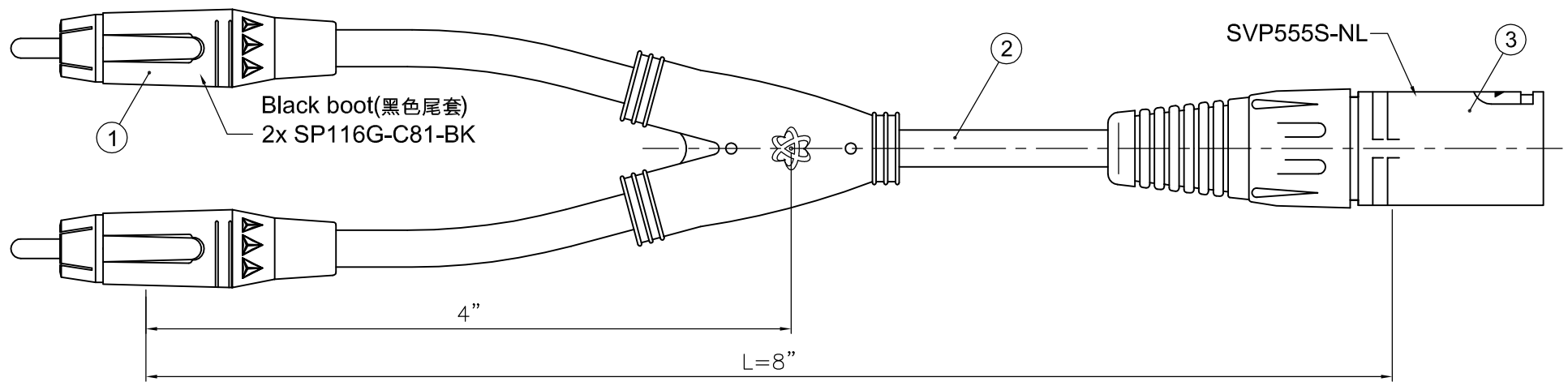


1 2 3 4 5 6 7 8

REVISIONS		
ISS	ZONE	DESCRIPTION\PER REQUEST\DATE
A3	D-2	SP116G-C42更換成SP116G-C81-BK
V	OPEN	對客戶公開圖紙
	OPEN	對供應商公開圖紙
	CLOSED	僅限廠內使用

MICROPHONE CABLE



台灣日昇電子股份有限公司
ISSUE APPROVED
 發行核可 本文件與簽核紙本正本相符

CABLE NO.: 4198010009
(3070100020-07)

DIMENSIONS ARE IN MILLIMETERS UNLESS OTHERWISE SPECIFIED TOLERANCES ANGLES = \pm 5' UP TO 6 = \pm 0.2 6-40 = \pm 0.4 40-120 = \pm 0.6 120-315 = \pm 1 ABOVE 315 = \pm 1.6	APPROVED DATE 2021-08-03
	CHECKED DATE
	DRAWN 吳碧珊 DATE 2021-07-22
	FILE NO. D:\CAD\SC\5223020028_SC7022-8inch-NL_CA001A3
THIRD_ANGLE	ERP LINK: 5223020028
SCALE 1/1	

	日昇電子股份有限公司 SUN RISE EXACT INDUSTRIAL CO.	
	TITLE XLR MALE TO 2x RCA MALE UNBALANCE MONO Y TYPE CABLE ASSEMBLY (L=8")	
PART NO. SC7022-8inch-NL	REV. A3	

NO.	DESCRIPTION	MATERIAL	FINISH	Q'TY	DRAWING NO.
3	XLR MALE		鍍鎳(NICKEL)	1	SVP555S-NL
2	CABLE		黑色(BLACK)	1	3070100020-07
1	RCA MALE		電泳黑(Electro-coating black)	2	SP116G-C81-BK

F
E
D
C
B
A

F
E
D
C
B
A

1 2 3 4 5 6 7 8