

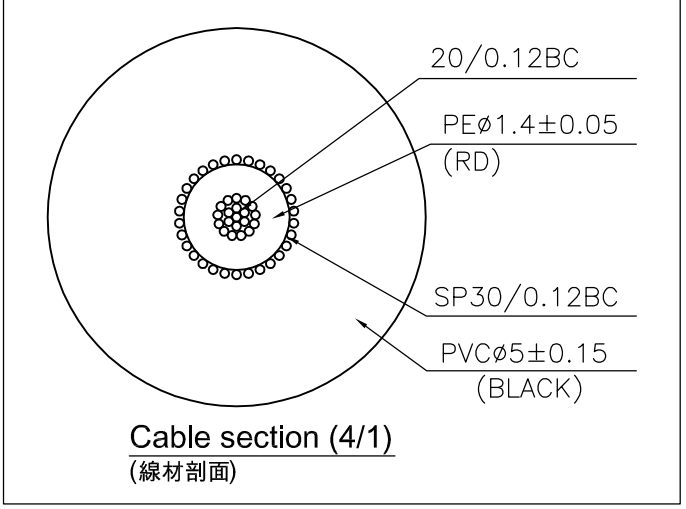
1 2 3 4 5 6 7 8

REVISIONS		
ISS	ZONE	DESCRIPTION\PER REQUEST\DATE
V	OPEN	對客戶公開圖紙
	OPEN	對供應商公開圖紙
	CLOSED	僅限廠內使用

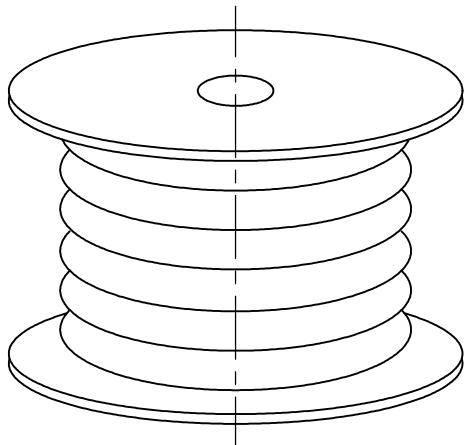
台灣日昇電子股份有限公司
ISSUE APPROVED
 發行核可 本文件與簽核
 紙本正本相符



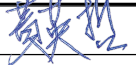

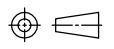
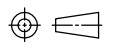
CABLE NO.: 3070100056-073-100M



PLASTIC SPOOL(膠軸)



100M / SPOOL

MATERIAL	APPROVED  DATE 2020-05-18	 日昇電子股份有限公司 SUN RISE EXACT INDUSTRIAL CO.	3rd ANGLE PROJECTION 	SCALE	2/1	TOLERANCE	±0.1
	CHECKED DATE			UNITS	mm	ANGLES	±5°
FINISH	DRAWN 吳碧珊 DATE 2020-05-14	PART NO. (非平衡式麥克風線) 5.0mm unbalance microphone cable		REV.		A1	
	FILE NO. D:\CAD\線材系列\5501010089_5.0mm unbalance microphone cable_CA001A1 ERP LINK: 5501010089						

1 2 3 4 5 6 7 8

F
E
D
C
B
A

F
E
D
C
B
A