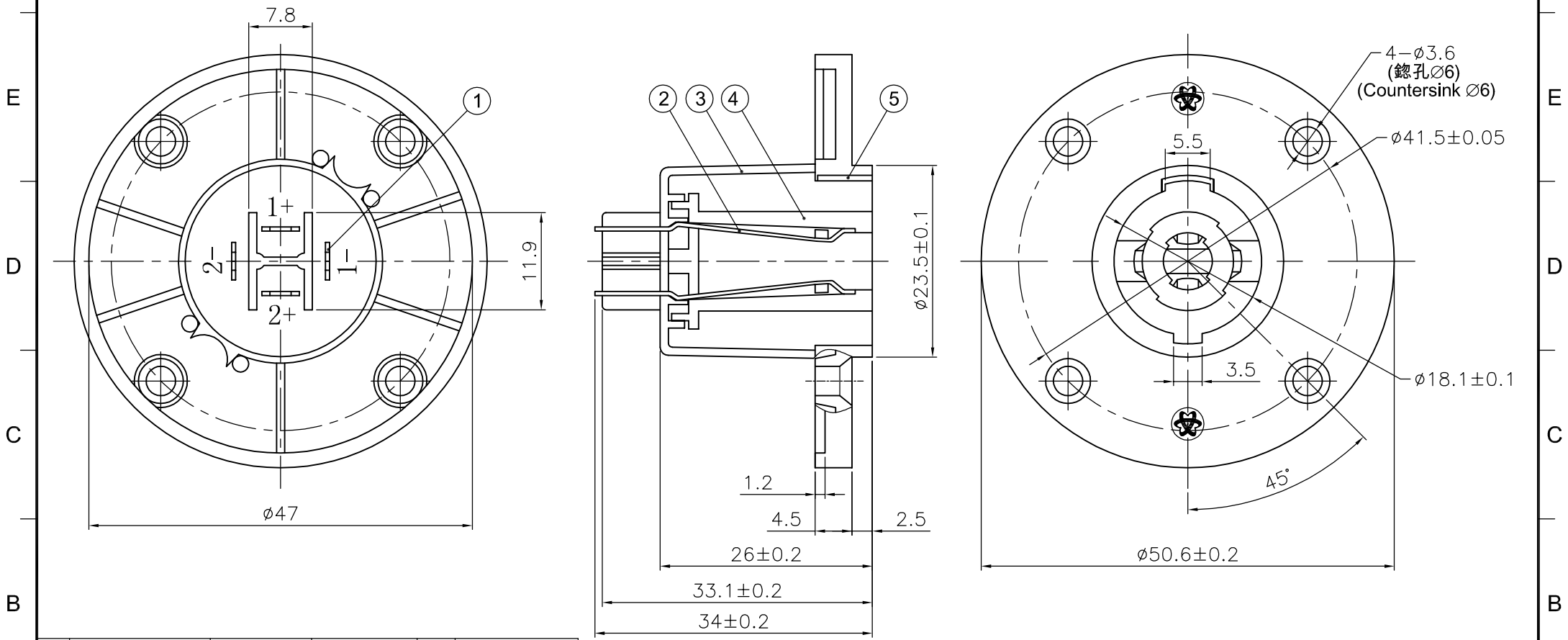


REVISIONS		
ISS	ZONE	DESCRIPTION\PER REQUEST\DATE
A2	B-4	尺寸40±0.2; ∅23.6 ⁺⁰ _{-0.1} 改為34±0.2; ∅23.5±0.1
V	OPEN	對客戶公開圖紙
	OPEN	對供應商公開圖紙
	CLOSED	僅限廠內使用

Note(備註):
 1. Shell with back cover is welded by Ultrasound
 (塑殼與後蓋組合為超音波熔接)

台灣日昇電子股份有限公司
ISSUE APPROVED
 發行核可 本文件與簽核紙本正本相符



NO.	DESCRIPTION	MATERIAL	FINISH	Q'TY	DRAWING NO.
5	金屬片 (SHEET METAL)	PHOSPHOR BRONZE	鍍鎳(NICKEL)	1	
4	塑座 (PLASTIC BASE)	PA	黑色(BLACK)	1	
3	後蓋(BACK COVER)	PA	黑色(BLACK)	1	
2	插針(PIN 1+/2+)	PHOSPHOR BRONZE	鍍銀(SILVER)	2	
1	插針(PIN 1-/2-)	PHOSPHOR BRONZE	鍍銀(SILVER)	2	

DIMENSIONS ARE IN MILLIMETERS		APPROVED	DATE
UNLESS OTHERWISE SPECIFIED TOLERANCES		蘇其哲	2021-10-22
ANGLES = ±5°		CHECKED	DATE
UP TO 6 = ±0.2		吳碧珊	2021-10-22
6-40 = ±0.4		DRAWN	DATE
40-120 = ±0.6		FILE NO. D:\CAD\SVP563\5115020047_	
120-315 = ±1		SVP563R-M-WT-AG_CA001A2	
ABOVE 315 = ±1.6		ERP LINK:	5115020047
THIRD_ANGLE	⊕ ⊖		
SCALE	1.5/1		

日昇電子股份有限公司 SUN RISE EXACT INDUSTRIAL CO.	
TITLE	
4P MALE PANEL MOUNT SPEAKER CONNECTOR	
PART NO.	SVP563R-M-WT-AG
REV.	A2