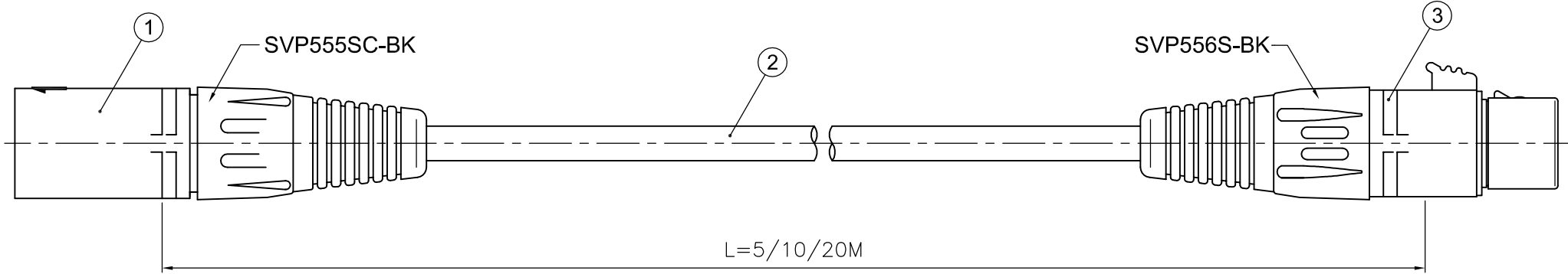


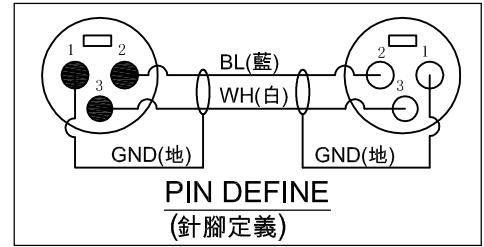
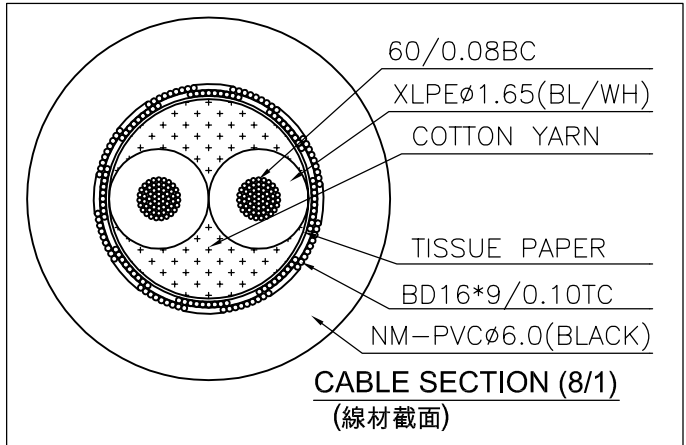
| REVISIONS | | |
|-----------|--------|------------------------------|
| ISS | ZONE | DESCRIPTION\PER REQUEST\DATE |
| A2 | D-4 | 增加長度5M、10M |
| V | OPEN | 對客戶公開圖紙 |
| | OPEN | 對供應商公開圖紙 |
| | CLOSED | 僅限廠內使用 |

台灣日昇電子股份有限公司
ISSUE APPROVED
 發行核可 本文件與審核紙本正本相符

S-1710 PROFESSIONAL MICROPHONE CABLE



CABLE NO.: 4101020162
 (3070101710-01)



| ERP Link | Part No. |
|------------|----------------------|
| 5216020565 | SVC675SC-BK-1710-5M |
| 5216020566 | SVC675SC-BK-1710-10M |
| 5216020457 | SVC675SC-BK-1710-20M |

- Notes(備註):
- Housing with a flower logo (鋅殼上有花型商標)
 - Insulator with a S.R logo (塑粒上有SR商標)

| NO. | DESCRIPTION | MATERIAL | FINISH | Q'TY | DRAWING NO. |
|-----|----------------------|----------|-----------------------------|------|---------------|
| 3 | XLR FEMALE CONNECTOR | | 電泳黑 (ELECTRO-COATING BLACK) | 1 | SVP556S-BK |
| 2 | CABLE | | 黑色 (BLACK) | 1 | 3070101710-01 |
| 1 | XLR MALE CONNECTOR | | 電泳黑 (ELECTRO-COATING BLACK) | 1 | SVP555SC-BK |

| | | |
|---------------------------------------|-----|---------------------------------|
| DIMENSIONS ARE IN MILLIMETERS | | APPROVED DATE 2016-04-14 |
| UNLESS OTHERWISE SPECIFIED TOLERANCES | | CHECKED DATE |
| ANGLES = ±5° | | DRAWN 吳碧珊 DATE 2016-04-13 |
| UP TO 6 = ±0.2 | | FILE NO. D:\CAD\SVC\5216020565_ |
| 6-40 = ±0.4 | | SVC675SC-BK-1710-5M_CA001A2 |
| 40-120 = ±0.6 | | ERP LINK: 5216020565 |
| 120-315 = ±1 | | |
| ABOVE 315 = ±1.6 | | |
| THIRD_ANGLE | | |
| SCALE | 1/1 | |

| | | | |
|--|--|---|----|
| | | 日昇電子股份有限公司 SUN RISE EXACT INDUSTRIAL CO. | |
| TITLE XLR MALE + 3070101710 + XLR FEMALE CABLE ASSEMBLY (L=5M/10M/20M) | | | |
| PART NO. SVC675SC-BK-1710-5M | | REV. | A2 |