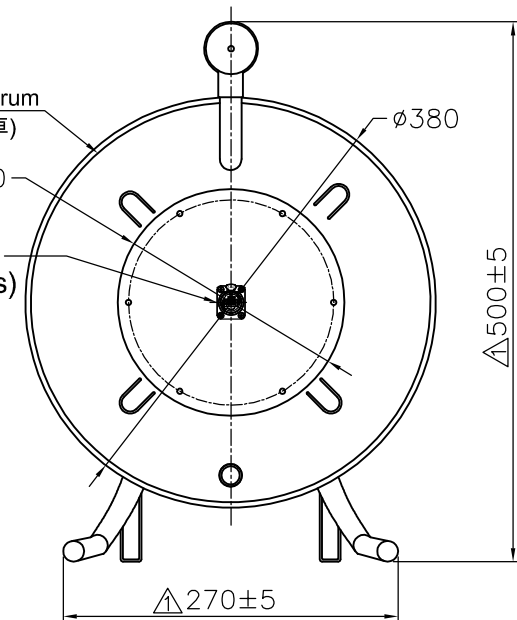


REVISIONS		
ISS	ZONE	DESCRIPTION\PER REQUEST\DATE
A3	D-5	修改纜車尺寸,長度為xM表示並增加說明
V	OPEN	對客戶公開圖紙
	OPEN	對供應商公開圖紙
	CLOSED	僅限廠內使用

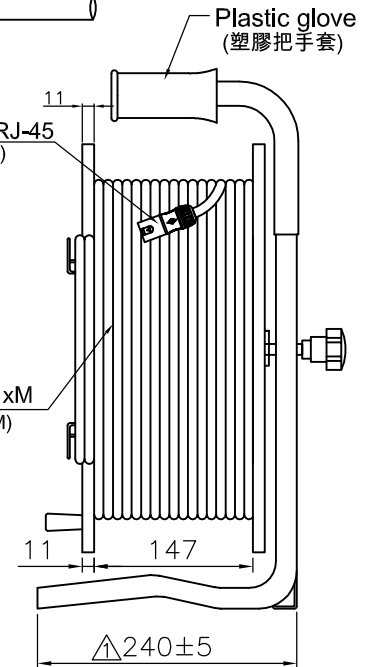
**BRXACT** Super Cat5e Digital Network Cable Heavy Duty Type

SDC-RH380-PM Cable drum  
(SDC-RH380-PM線纜車)



SVP594-D110  
(Cat5e rj45 chassis)

SVP591L with shield RJ-45  
(SVP591L+網路水晶頭)

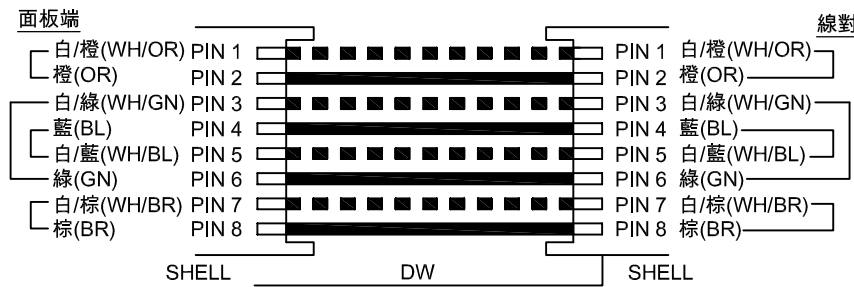
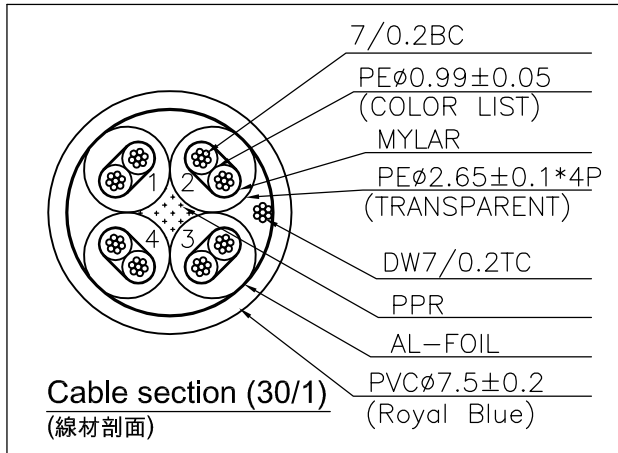


台灣日昇電子股份有限公司  
**ISSUE APPROVED**  
發行核可  
本文件與審核  
紙本正本相符

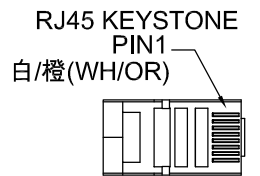
Notes(備註):

- The ground wire of one cable end should be connected  
(線材一端地線要連接到水晶頭的屏蔽外殼上)
- The drawing is based on the standard spec. ,pls check "xM" for various length requirement.  
(此圖為標準品繪製,由於長度多種變化不另行標示,產線依照訂單長度製作) 1FT=0.3048M, 1inch=0.0254M

CABLE NO.: 4117010004  
(3071700036-01)



Wiring scheme(接線方式): EIA/TIA 568B



COLOR LIST(色彩列表)

- 4 pair twisted wires (4對雙絞):
- 橙-白/橙 (Orange-White/Orange)
  - 藍-白/藍 (Blue-White/Blue)
  - 綠-白/綠 (Green-White/Green)
  - 棕-白/棕 (Brown-White/Brown)

DIMENSIONS ARE IN MILLIMETERS UNLESS OTHERWISE SPECIFIED TOLERANCES ANGLES = ±5° UP TO 6 = ±0.2 6-40 = ±0.4 40-120 = ±0.6 120-315 = ±1 ABOVE 315 = ±1.6	APPROVED <i>蘇其哲</i> DATE 2023-06-15	<p>日昇電子股份有限公司 SUN RISE EXACT INDUSTRIAL CO.</p>	TITLE CAT6 NETWORK CABLE DRUM (L=50M/xM)	
	CHECKED DATE			DRAWN 吳碧珊 DATE 2023-06-15
	FILE NO. D:\CAD\SDH\5203050057_ SDH-384P-036-50M_CA001A3			ERP LINK: 5203050057
THIRD_ANGLE	SCALE 1/7			