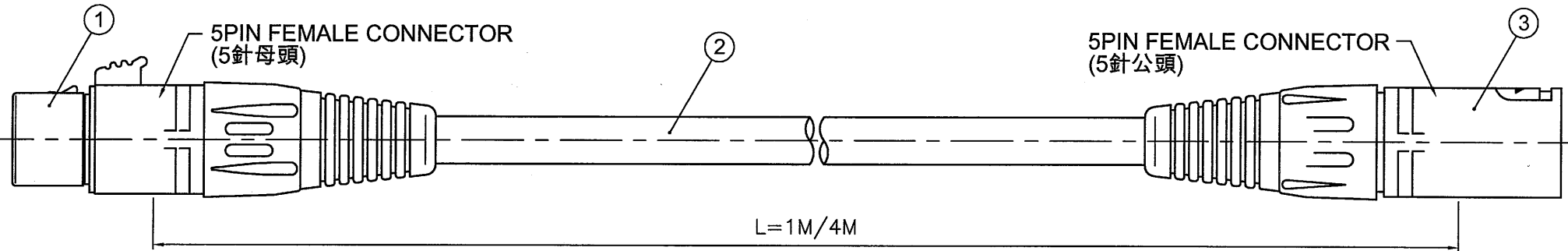


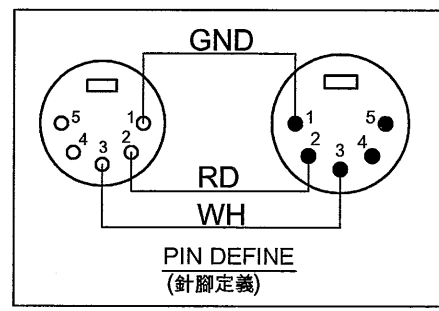
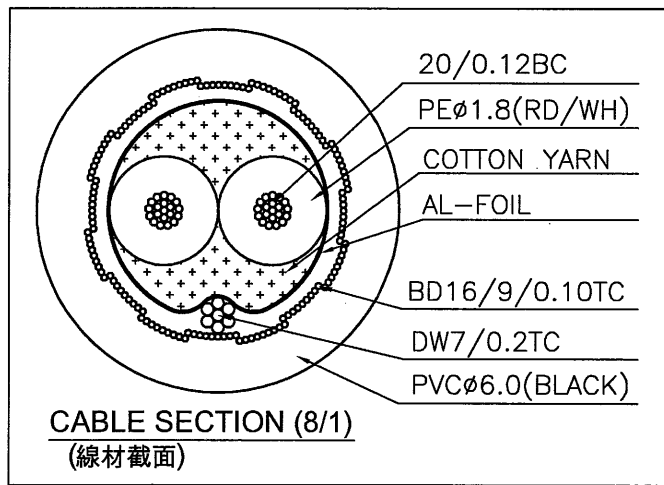
1			2			3			4			5			6			7			8		
REVISIONS																							
ISS	ZONE	DESCRIPTION\PER REQUEST\DATE																					
A3	ALL	修改品名及圖框																					
V	OPEN	對客戶公開圖紙																					
	OPEN	對供應商公開圖紙																					
	CLOSED	僅限廠內使用																					

台灣日昇電子股份有限公司  
**ISSUE APPROVED**  
 發行核可 本文件與蓋核  
 紙本正本相符

DMX-512 **SREXACT** PROFESSIONAL LIGHT CONTROL DOUBLE SHIELDED CABLE



CABLE NO.: 4101020131  
 (3070100111-01)



- NOTES(備註):
- HOUSING WITH A FLOWER LOGO  
 (鋅殼上有花型商標)
  - INSULATOR WITH A S.R LOGO  
 (塑粒上有SR商標

DIMENSIONS ARE IN MILLIMETERS		APPROVED	DATE
UNLESS OTHERWISE SPECIFIED TOLERANCES		CHECKED	DATE
ANGLES = $\pm 5^\circ$		DRAWN 吳碧珊	DATE
UP TO 6 = $\pm 0.2$		FILE NO. D:\CAD\ISVCI	
6-40 = $\pm 0.4$		5227010175/176_SVC687S-5P3C-111-1M/4M_CA001A3	
40-120 = $\pm 0.6$		ERP LINK:	5227010175/176
120-315 = $\pm 1$		SCALE	1/1
ABOVE 315 = $\pm 1.6$			

**日昇電子股份有限公司**  
 SUN RISE EXACT INDUSTRIAL CO.

TITLE: SVP555S-5P+3070100111+SVP556S-5P

PART NO. SVC687S-5P3C-111-1M/4M REV. A3

3	CONNECTOR	ZZnAL 14-1	鍍鎳(NICKEL)	1	SVP555S-5P
2	CABLE		黑色(BLACK)	1	3070100111-01
1	CONNECTOR	ZZnAL 14-1	鍍鎳(NICKEL)	1	SVP556S-5P
NO.	DESCRIPTION	MATERIAL	FINISH	Q'TY	DRAWING NO.