

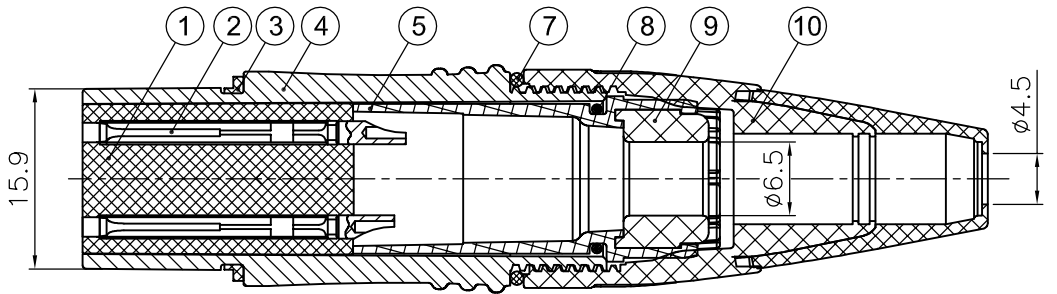


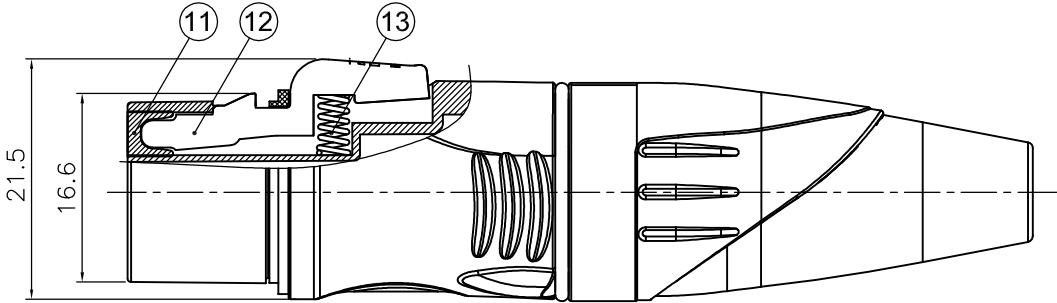
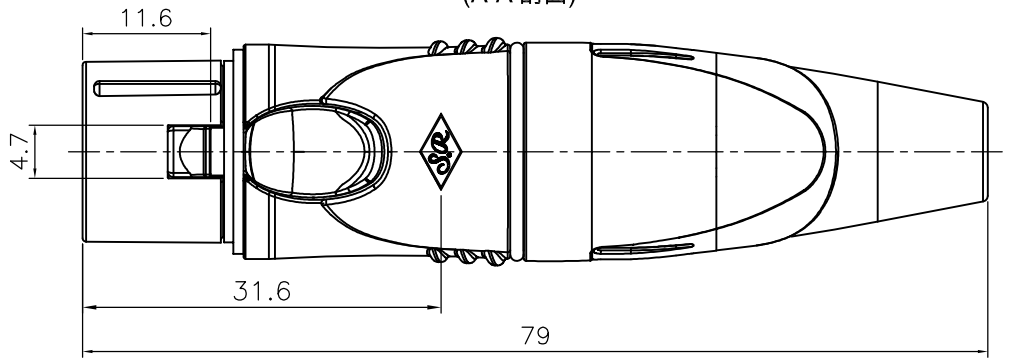
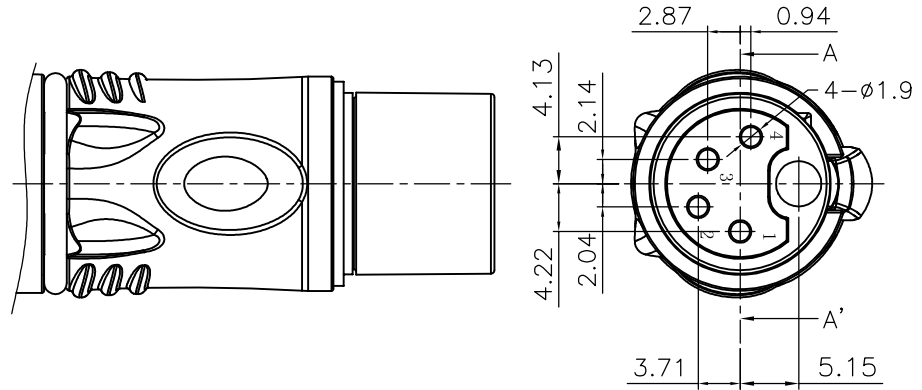
REVISIONS		
ISS	ZONE	DESCRIPTION\PER REQUEST\DATE
A3	A-1	原插孔改為一體式插孔, 修改零件1和2品號
V	OPEN	對客戶公開圖紙
	OPEN	對供應商公開圖紙
	CLOSED	僅限廠內使用

台灣日昇電子股份有限公司  
**ISSUE APPROVED**  
 發行核可 本文件與簽核紙本正本相符

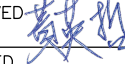

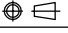
Note(備註):  
 1.  trademark is carving by laser.  
 ( 商標為雷射雕刻)




A-A' section  
(A-A'剖面)



12	彈簧 (SPRING)	SPRING STEEL		1	1404010015
11	按鍵(PUSH BUTTON)	ZZnAL4-1	啞光鍍 (MATT NICKEL)	1	3103040127
10	按鍵堵塞(JAM)	H59-1	鍍鍍(NICKEL)	1	3103040132
9	螺套+尾套(CAP+BOOT)	PA6+TPR	黑+橙(BK+OR)	1	4301060055
8	防水圈(WATERPROOF)	NBR	黑色(BLACK)	1	1209100031
7	O型圈(O-WASHER)	NBR	黑色(BLACK)	1	1208010060
6	O型圈(O-WASHER)	NBR	橙色(ORANGE)	1	1209100033
5	夾線爪(CABLE CLAMP)	PA6	本色(NATURAL)	1	4301070017
4	鋅殼(DIE-CAST SHELL)	ZZnAL4-1	啞光鍍 (MATT NICKEL)	1	3103040126
3	T型圈(T-WASHER)	NBR	橙色(ORANGE)	1	1208010059
2	一體式插孔(ONE-BODY FEMALE PIN)	BRASS	鍍銀(SILVER)	4	3102020024
1	塑粒(INSULATOR)	PA	黑色(BLACK)	1	4301010087
NO.	DESCRIPTION	MATERIAL	FINISH	Q'TY	DRAWING NO.

DIMENSIONS ARE IN MILLIMETERS		APPROVED  DATE 2020-12-24
UNLESS OTHERWISE SPECIFIED TOLERANCES		CHECKED  DATE
ANGLES = ±5°		DRAWN 吳碧珊 DATE 2020-12-24
UP TO 6 = ±0.2		FILE NO. D:\CAD\SVP556\5112010426_
6-40 = ±0.4		SVP556X-WP-4P_CA001A3
40-120 = ±0.6		ERP LINK: 5112010426
120-315 = ±1		
ABOVE 315 = ±1.6		
THIRD_ANGLE		
SCALE	1.5/1	

 <b>日昇電子股份有限公司</b> SUN RISE EXACT INDUSTRIAL CO.	
TITLE WATERPROOF 4P XLR FEMALE CONNECTOR	
PART NO. SVP556X-WP-4P	REV. A3