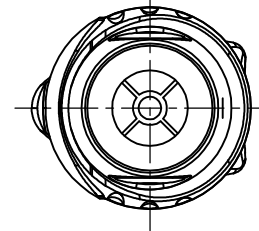
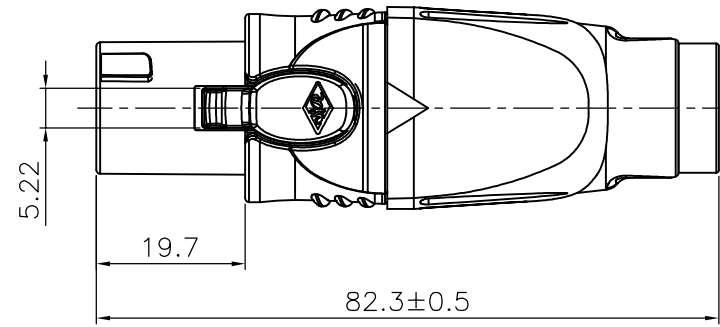
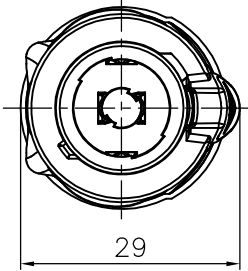


REVISIONS		
ISS	ZONE	DESCRIPTION\PER REQUEST\DATE
A6	E-5	總長80改為82.3±0.5
V	OPEN	對客戶公開圖紙
	OPEN	對供應商公開圖紙
	CLOSED	僅限廠內使用

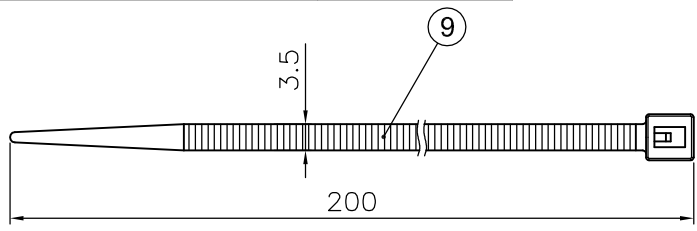
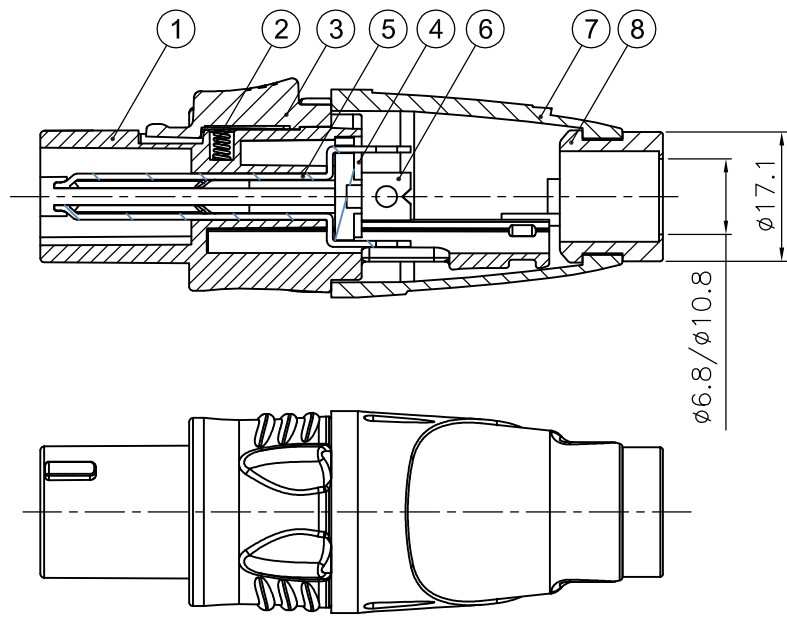
台灣日昇電子股份有限公司
ISSUE APPROVED
 發行核可 本文件與審核紙本正本相符



Notes(備註):

- Provide 2 different size boots: $\phi 6.8/\phi 10.8$ for different cable usage.
(提供兩種孔徑 $\phi 6.8/\phi 10.8$ 之尾套,以便不同線材外徑使用)
- Shell color options: orange, red, yellow, green, blue, white, black, gray
(外殼顏色可選擇: 橙色, 紅色, 黃色, 綠色, 藍色, 白色, 黑色, 灰色)

Electric(電氣性能):	
Contact resistance(接觸電阻)	3 mohms max.
Current rating(耐電流)	35A
Voltage proof(耐電壓)	250V



9	扎線帶(CABLE TIE)	PA	白色(WHITE)	1	2602010018
8	尾套(BOOT)	PVC	黑色(BLACK)	1+1	4401130025
7	外殼(SHELL)	PA6	橘色(ORANGE)	1	
6	插針"-"(PIN)	BRASS	鍍錫(TIN)	2	3105010029
5	插針"+"(PIN)	BRASS	鍍錫(TIN)	2	3105010028
4	後蓋(BACK COVER)	PA	黑色(BLACK)	1	4301080016
3	按鍵(PUSH BUTTON)	PA	黑色(BLACK)	1	4301110009
2	彈簧(SPRING) $\phi 0.45$	STAINLESS STEEL		1	1404010015
1	塑本體(BODY)	PA	黑色(BLACK)	1	4301040037
NO.	DESCRIPTION	MATERIAL	FINISH	Q'TY	DRAWING NO.

DIMENSIONS ARE IN MILLIMETERS	
UNLESS OTHERWISE SPECIFIED TOLERANCES	
ANGLES = $\pm 5^\circ$	
UP TO 6 = ± 0.2	
6-40 = ± 0.4	
40-120 = ± 0.6	
120-315 = ± 1	
ABOVE 315 = ± 1.6	
THIRD_ANGLE	$\frac{\text{ø}}{\text{ø}}$
SCALE	1/1

APPROVED	DATE	2020-03-11
CHECKED	DATE	
DRAWN 吳碧珊	DATE	2020-03-11
FILE NO. D:\CAD\SVP\5115010101_	SVP562X-Q_CA001A6	
ERP LINK:	5115010101	

日昇電子股份有限公司 SUN RISE EXACT INDUSTRIAL CO.	
TITLE	
SHARK SPEAKER FEMALE CONNECTOR	
PART NO.	SVP562X-Q
REV.	A6