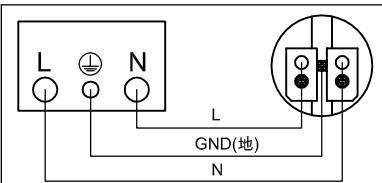
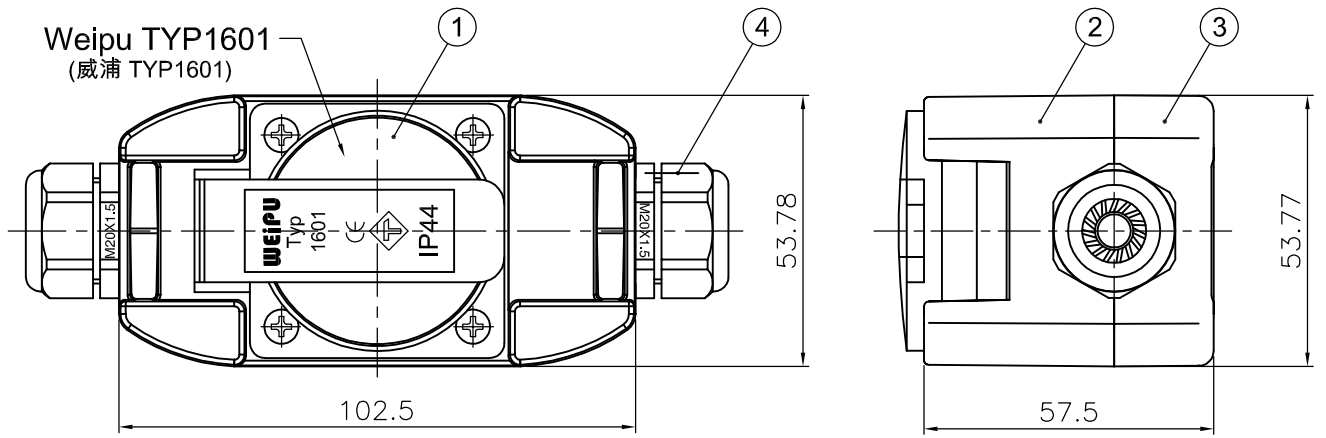
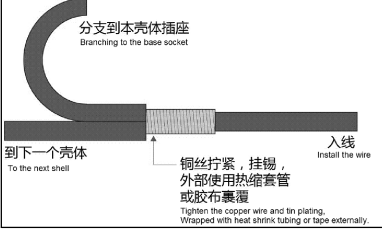


REVISIONS		
ISS	ZONE	DESCRIPTION\PER REQUEST\DATE
V	OPEN	對客戶公開圖紙
	OPEN	對供應商公開圖紙
	CLOSED	僅限廠內使用



PIN DEFINE
(針腳定義)



Wiring recommendation method.
(建議配線方式)

Recommend the wiring method for the reason of the limited screw tightening space of socket. Tightening length is about 20mm.
(由於插座螺絲擰緊空間有限,建議採用此方式配線. 擰緊長度約20mm左右.)

Plastic gland(塑膠固定頭)
Thread(螺牙)M20x1.5
for cable OD.:6~12mm
(適用線徑Ø6~12mm)

台灣日昇電子股份有限公司
ISSUE APPROVED
發行核可 本文件與簽核紙本正本相符

NO.	DESCRIPTION	MATERIAL	FINISH	Q'TY	DRAWING NO.	DIMENSIONS ARE IN MILLIMETERS UNLESS OTHERWISE SPECIFIED TOLERANCES ANGLES = ±5° UP TO 6 = ±0.2 6-40 = ±0.4 40-120 = ±0.6 120-315 = ±1 ABOVE 315 = ±1.6	APPROVED	DATE	TITLE			
4	PLASTIC GLAND (塑膠固定頭)		黑色(BLACK)	2	1209100035		吳碧珊	2019-02-25	日昇電子股份有限公司 SUN RISE EXACT INDUSTRIAL CO.			
3	UNDER PLASTIC SHELL (塑膠下殼)	PA	黑色(BLACK)	1	4301040049				THE SCHUKO SOCKET BOX			
2	TOP PLASTIC SHELL (塑膠上殼 歐標)	PA	黑色(BLACK)	1	4301040048		吳碧珊	2019-02-18				
1	16A Schuko sockets (IP44) (16A歐規IP44防水插座)		藍色(BLUE)	1	1601140252							
						THIRD_ANGLE	ERP LINK:	5209020181	PART NO.	3P 16E-1	REV.	A1
						SCALE						