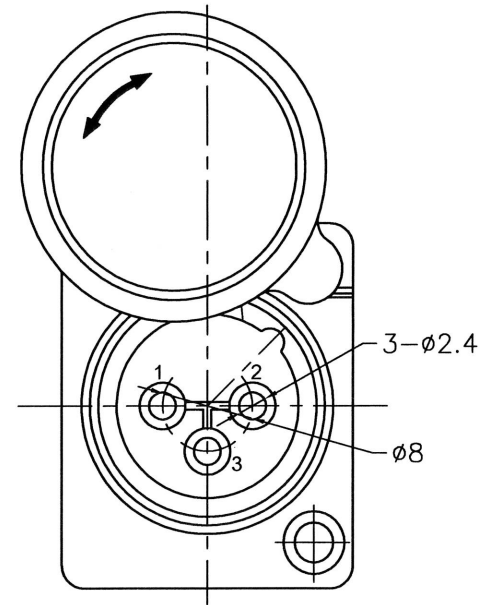
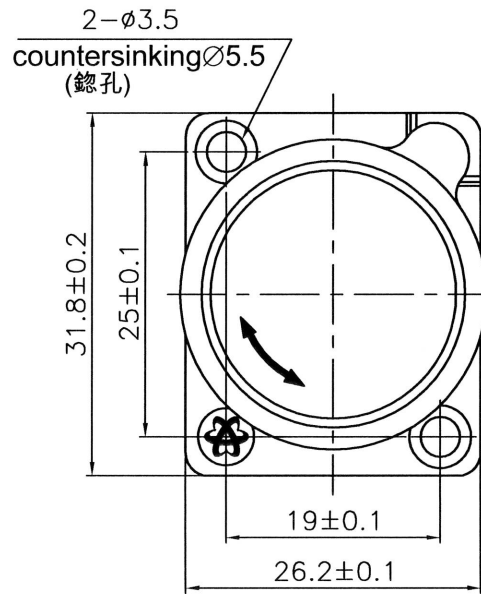
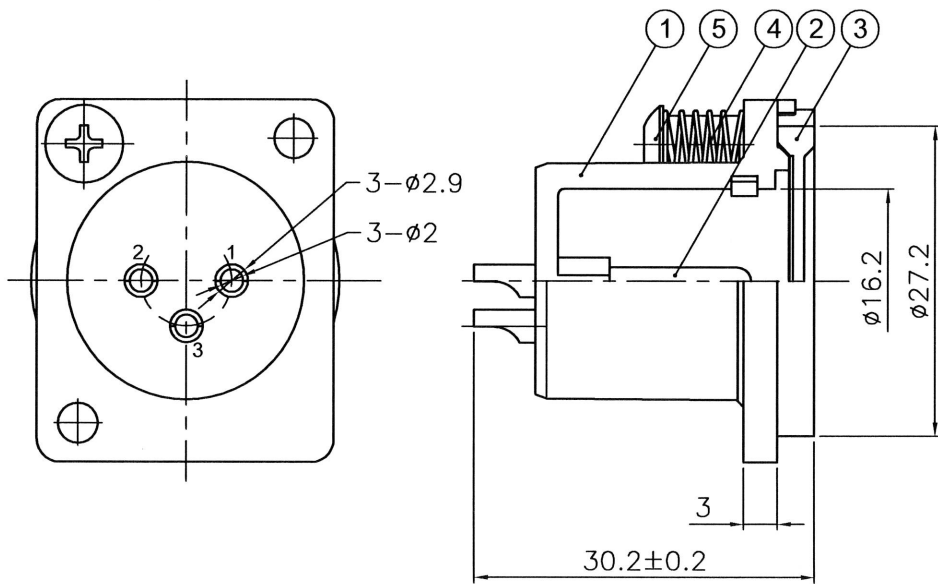


1 2 3 4 5 6 7 8

REVISIONS		
ISS	ZONE	DESCRIPTION\PER REQUEST\DATE
V	OPEN	對客戶公開圖紙
	OPEN	對供應商公開圖紙
	CLOSED	僅限廠內使用

台灣日昇電子股份有限公司
ISSUE APPROVED
 發行核可 本文件與簽核紙本正本相符

Electrical(電氣性能):	
Contact resistance (接觸電阻)	3mΩ max.
Insulator resistance (絕緣電阻)	1000MΩ min.
Current rating (耐電流)	3P/15A
Withstand voltage (耐電壓)	1500 VAC



NO.	DESCRIPTION	MATERIAL	FINISH	Q'TY	DRAWING NO.
5	螺絲(SCREW)	Q235	鍍鎳(NICKEL)	1	3103040047
4	彈簧(SPRING)	65Mn	鍍鎳(NICKEL)	1	3103040048
3	防塵蓋(DUST CAP)	PA	黑色(BLACK)	1	4301090001
2	插針(PIN)	H59-1	鍍銀(SILVER)	3	3102010039
1	本體(BODY)	PA	黑色(BLACK)	1	4301030032

DIMENSIONS ARE IN MILLIMETERS		APPROVED	DATE
UNLESS OTHERWISE SPECIFIED TOLERANCES		黃英	2017-05-02
ANGLES = ±5'		CHECKED	DATE
UP TO 6 = ±0.2		吳碧珊	2016-07-22
6-40 = ±0.4		DRAWN	DATE
40-120 = ±0.6		FILE NO. D:\CAD\SVP555\5111060032_	
120-315 = ±1		SVP555P-W-CR_CA001A1	
ABOVE 315 = ±1.6		ERP LINK:	5111060032
THIRD_ANGLE	☉ ☒		
SCALE	1.5/1		

SUNRISE 日昇電子股份有限公司		SUN RISE EXACT INDUSTRIAL CO.	
TITLE 3P CHASSIS XLR MALE CONNECTOR WITH COVER, PLASTIC			
PART NO.	SVP555P-W-CR	REV.	A1

1 2 3 4 5 6 7 8